

led profile by Luz Negra

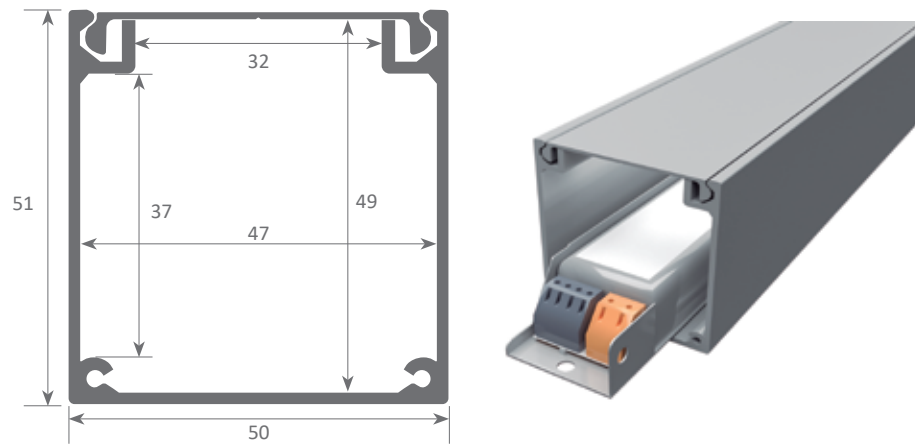
BOX

A linear led profile, consisting of a base and aluminium cover, whose objective is to conceal accessories like power supplies, controllers, connection strips, etc. It is mainly used for ceiling mounting in order to hide the power supplies in the case of smaller luminaires which aren't big enough to house them inside their structure.

We offer a 2 year guarantee.



Scale 1:1



Aluminium profile

16.001 anodised silver 4m



Plastic vented endcaps

19.212 grey

