

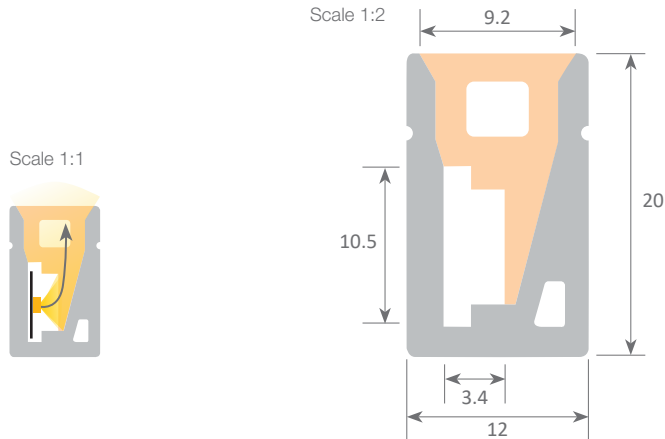
led profile by Luz Negra

NEON XL

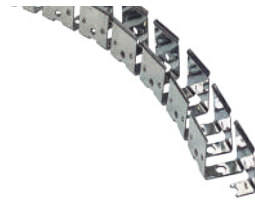
A high quality silicone profile with an opal front. It is suitable for perimetral decorative lighting, illuminating cavities, etc. It is ideal for publicity texts specially when large corporate letters are requested. It has one internal cavity that can house an IP20 led strip, with a PCB of 10mm and a power not greater than 14W/m. We recommend combining this profile with ecoled Castellón.

Thanks to its IP67 waterproofing and its UV protection, this product is suitable for outdoor areas and damp zones (sealing the connector and the endcap with the recommended silicone is a must). We offer you this profile in 100m rolls or cut to size (minimum 1m MOQ).

We offer a 2 year guarantee.



Neon XL Led
10.005 Neón XL 1-100m
(PCB max. 10mm)



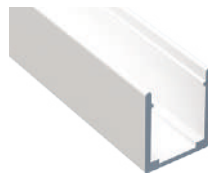
Die-cut profile
10.219 aluminium m



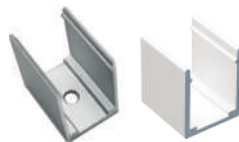
Silicone for waterproofing
22.138 opal 45ml
22.140 transparent 45ml



Silicone endcaps
19.173 without hole
19.174 with front hole
19.175 with side hole
19.176 with bottom hole



Clip profile
20.080 white aluminium 2m



Clip
20.036 aluminium
20.079 white aluminium



How to bend



Variation in the tone of colour and luminous flow with neons

When we put a led strip inside a profile of silicone (like our neon profiles), the filtered light which coming out to the surface has a specific colour, where the tone depends on the profile of silicone

The following table of contents reflects the changes that have occurred on the strips with the most usual tones of colour (3000K – 4000K – 6000K).

Since the changes on the tone of colour depend also on other external factors like the IRC, the sealing systems, etc. This table serves for information purposes only and there is no commitment on the part of Luz Negra.

There is also a luminous flow reduction after the strip has been placed inside the profile of silicone (neon profile). This information is also reflected in the aforementioned table.

Name	3000K	4000K	6000K	Luminous flow reduction
Neon Micro	-400K	-900K	-1800K	-60%
Neon Mini	-300K	-800K	-1500K	-66%
Neon Cuadrado	-300K	-400K	-900K	-30%
Neon Redondo	-200K	-500K	-1000K	-24%
Neon XL	-400K	-700K	-1800K	-68%
Neon las Vegas	-400K	-700K	-1900K	-74%
Neon Doble	-100K	-200K	-700K	-25%
Neon Redondo XL	-300K	-600K	-1700K	-33%
Neon las Vegas XL	-300K	-500K	-1500K	-49%



Neon
Micro



Neon
Mini



Neon
Cuadrado



Neon
Redondo



Neon
Redondo XL



Neon
Doble



Neon
XL



Neon
las Vegas



Neon
las Vegas XL