

led profile by Luz Negra

Our PROFESSIONAL led profile series is manufactured in high purity aluminium and silver anodised. This profile can be used for many different purposes, such as wall or table signage, due to its etched methacrylate surface (display signs with diffused lighting).

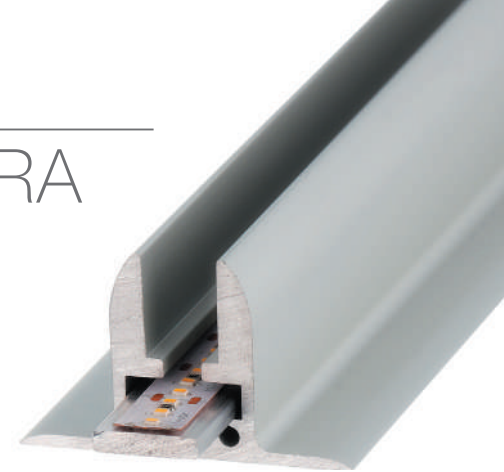
We can also use it as an illuminated shelf with glass or methacrylate.

Suitable for led strips with a maximum width of 15mm and a power not greater than 20W/m.

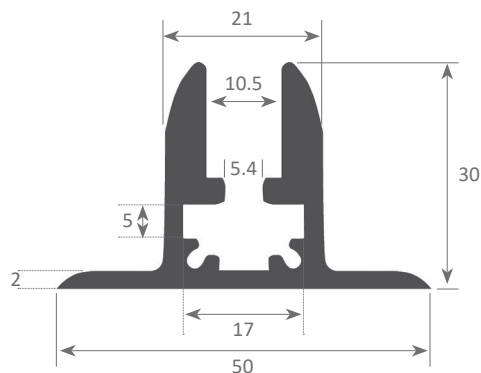
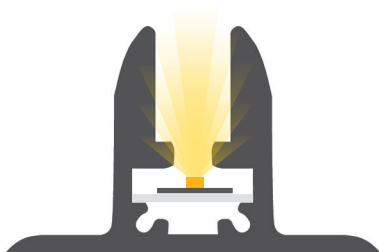
We recommend using it with our Avila ecoled strip in order to obtain white or coloured illumination.

We offer a 10 year guarantee.

GINEBRA



Scale 1:1



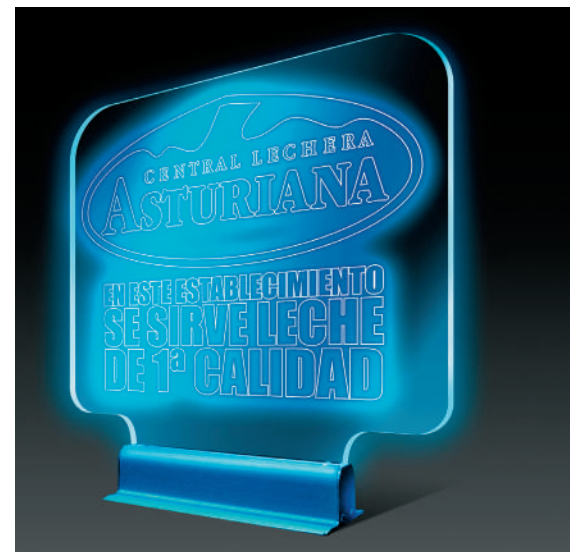
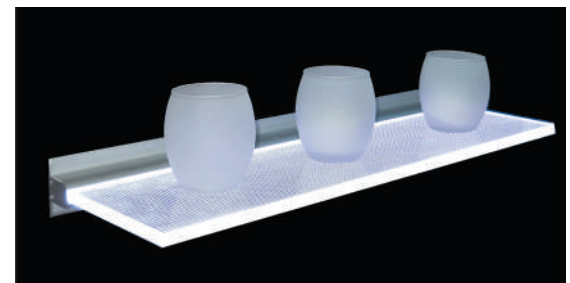
Aluminium profile

12.003 anodised silver 3m



Endcaps

19.148 aluminium



Inner plate

12.017 aluminium
1000x15x3mm



Aluminium alloy extrusion process in accordance with: ISO 9001:2008 - ISO 14001 / Tolerances defined by: UNE-EN 755-9 / UNE-EN 12020-2
Theoretical weight: 0.910kg / Alloy: 6063 / Perimeter: 236mm / Anodising minimum: 15 microns
Aluminium purity: 95-98% / Material treatment: T-5