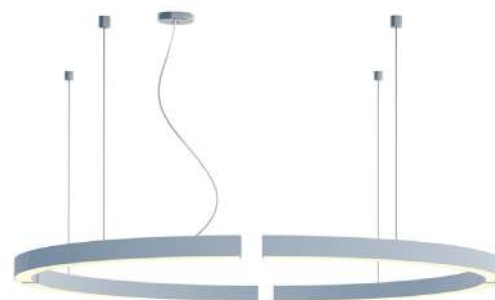


Luminaires with a diameter of 156cm, manufactured in textured lacquered white/black aluminium and illuminated with a led strip in 3000°K - 4000°K - 6000°K.

Compared with the models 60-90-120cm, this model is supplied in 4 diferent parts because of its size.

It can be used on surfaces or for hanging applications (using hanging kits).

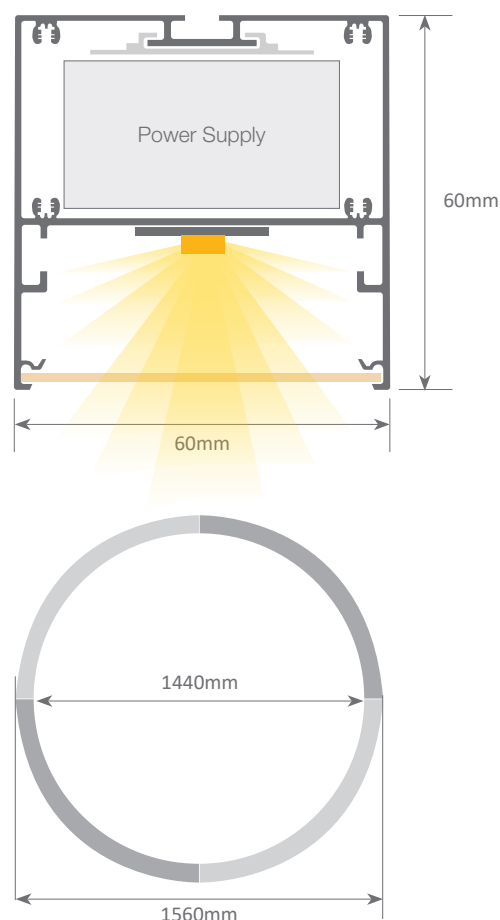
Saturno 150



● Lacquered white or lacquered black.

REFERENCES	PROFILE COLOR	SIZE	POWER	LUMENS	COLOUR TEMPERATURE (°KELVIN)	CRI	POWER SUPPLY
80.019	White	Ø1560mm	80W	9300 Lm	3000°K	>80	Internal
80.020	White	Ø1560mm	80W	9800 Lm	4000°K	>80	Internal
80.021	White	Ø1560mm	80W	10200 Lm	6000°K	>80	Internal
80.022	Black	Ø1560mm	80W	9300 Lm	3000°K	>80	Internal
80.023	Black	Ø1560mm	80W	9800 Lm	4000°K	>80	Internal
80.024	Black	Ø1560mm	80W	10200 Lm	6000°K	>80	Internal

* (Lm) the data reflected in the table can vary according to manufacturing.



Plugins available

