

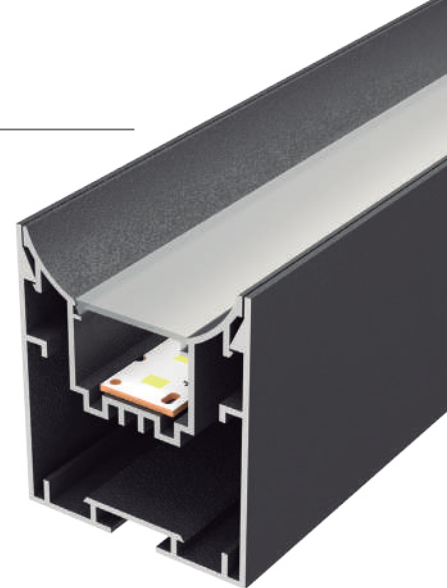
led profile by Luz Negra

Our PROFESSIONAL led profile series for surfaces/hanging applications is manufactured in high purity aluminium and lacquered in textured white, black and grey. Drivers can be housed inside.

The internal tray allows us to screw the rigid led strip on one side and enables us to house the power supply on the other. At the same time this tray can be removed from the front which means easy maintenance. For safety measures, we recommend the fixing of a braided cable from the profile base to the dissipation tray. Both profile and cover are available in 3.4 metre lengths.

We offer a 5 year guarantee on the profiles and covers.

GALES with RECESSED TRAY



Aluminium profile

| | | |
|--------|-----------------|-------|
| 16.011 | lacquered grey | 3.40m |
| 16.012 | lacquered white | 3.40m |
| 16.013 | lacquered black | 3.40m |



Recessed tray

| | | |
|--------|----------------|-------|
| 14.018 | textured grey | 3.40m |
| 14.019 | textured white | 3.40m |
| 14.025 | textured black | 3.40m |



Polycarbonate cover

| | | |
|--------|---------|-------|
| 18.079 | frosted | 3.40m |
|--------|---------|-------|



Profile joints

| | |
|--------|-------|
| 22.219 | steel |
|--------|-------|



Aluminium endcaps

| | |
|--------|-------|
| 19.246 | grey |
| 19.247 | white |
| 19.248 | black |



Hanging kit

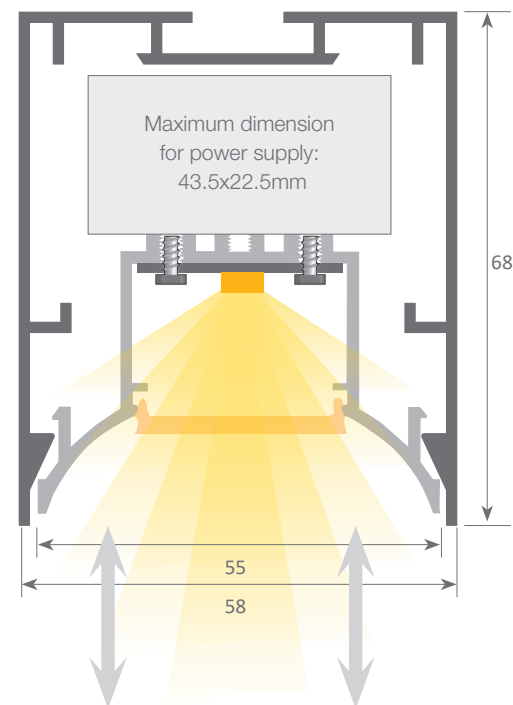
| | | |
|--------|--------|----------------|
| 21.001 | chrome | set of 2 units |
| 21.002 | white | set of 2 units |
| 21.003 | black | set of 2 units |



Safety cable

| | | |
|--------|-------|-------|
| 22.039 | steel | 18 cm |
|--------|-------|-------|

Scale 1:1



System with front removable tray which permits easy access to the led strip and power supply, therefore allowing very fast and simple maintenance of the electrical installation.



Aluminium alloy extrusion process in accordance with: ISO 9001:2008 - ISO 14001 / Tolerances defined by: UNE-EN 755-9 / UNE-EN 12020-2
Alloy: 6060 / Anodising minimum: 15 microns / Purity aluminium: 95-98% / Treatment: T-5