

led profile by Luz Negra

Our PROFESSIONAL led profile series for surfaces/hanging applications is manufactured in high purity aluminium and lacquered in white or textured black. Drivers can be housed inside.

The internal tray allows us to screw the rigid led strip on one side and enables us to house the power supply on the other. At the same time this tray can be removed from the front which means easy maintenance. For safety measures, we recommend fixing a braided cable from the profile base to the tray. Both profile and cover are available in 3.4m lengths.

We offer a 5 year guarantee on the profiles and covers.

GALES

with tray and trellis



Aluminium profile

16.012 lacquered white 3.40m
16.013 lacquered black 3.40m



Aluminium tray

14.016 textured white 3.40m
14.017 textured black 3.40m



Trellis

16.016 textured white 1.124m
16.017 textured black 1.124m



Profile joints

22.219 steel



Aluminium endcaps

19.247 white
19.248 black



Hanging kit

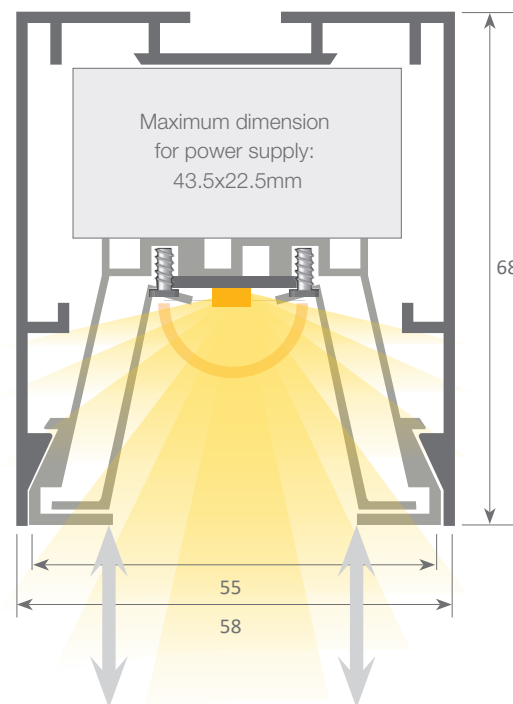
21.001 chrome set of 2 units
21.002 white set of 2 units
21.003 black set of 2 units



Safety cable

22.039 steel 18cm

Scale 1:1



System with front removable tray which permits easy access to the led strip and power supply, therefore allowing very fast and simple maintenance of the electrical installation.



Aluminium alloy extrusion process in accordance with: ISO 9001:2008 - ISO 14001 / Tolerances defined by: UNE-EN 755-9 / UNE-EN 12020-2
Theoretical weight: 1.202Kg / Alloy: 6060 / Perimeter: 552mm / Anodising minimum: 15 microns
Purity aluminium: 95-98% / Treatment: T-5