

Our PROFESSIONAL led profile series for recessing is manufactured in high purity aluminium and lacquered in textured white and grey. Drivers can be housed inside.

This profile can be used with our frosted white cover. The internal tray allows us to screw the rigid led strip on one side and enables us to house the power supply on the other. At the same time this tray can be removed from the front which means easy maintenance. For safety measures, we recommend the fixing of a braided cable from the profile base to the dissipation tray.

Both profile and cover are available in 3.4 metre lengths.

We offer a 2 year guarantee on the profiles and cover.

KRAKOVIA SLIM



Aluminium profile

15.008 textured grey 3.40m
15.009 textured white 3.40m



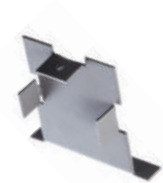
Aluminium tray

16.027 textured white 3.40m



Cover

18.111 frosted 3.40m



Aluminium endcaps

19.305 textured grey
19.306 textured white



Joint between profiles

22.218 steel



Fixing bracket

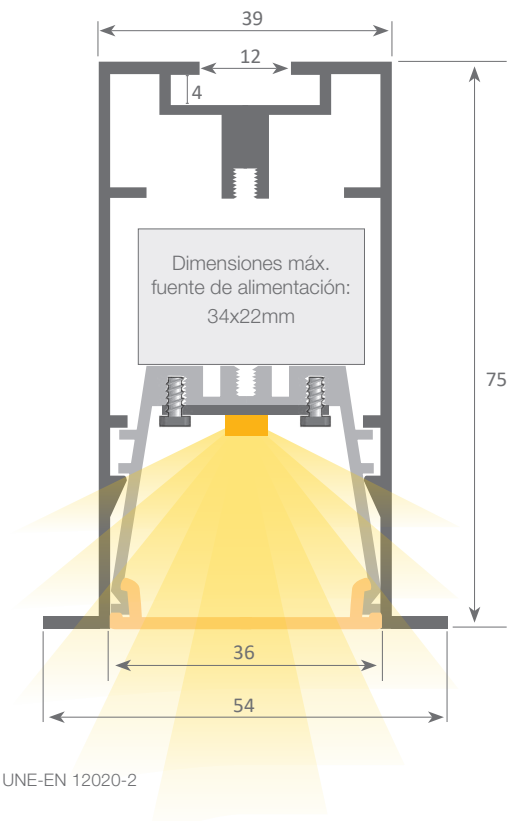
20.047 steel
20.062 steel



Safety cable

22.039 steel

Scale 1:1



Aluminium alloy extrusion process in accordance with: ISO 9001:2008 - ISO 14001 / Tolerances: UNE-EN 755-9 / UNE-EN 12020-2
Theoretical weight: 0.972 Kg. / Alloy: 6063 / Perimeter: 420 / Anodizing minimum: 15 microns
Purity aluminium: 95-98% / Treatment: T-5