

# led profile by Luz Negra

## BERLIN XL



IP65



Our PROFESSIONAL led profile series for recessing is manufactured in high purity aluminium and available in anodised silver, black and white lacquered. Ideal for embedding in furniture, shelving and similar areas where a width greater than the standard is required. This allows us to use wider led strips for an increased heat dissipation and a wider angle of light emission.

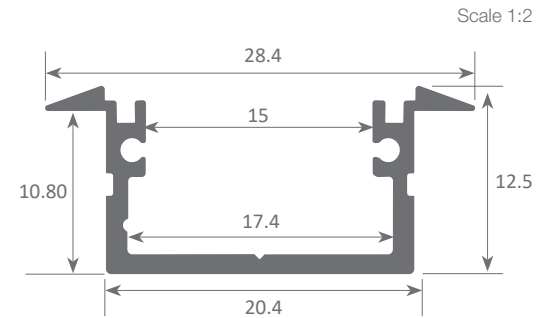
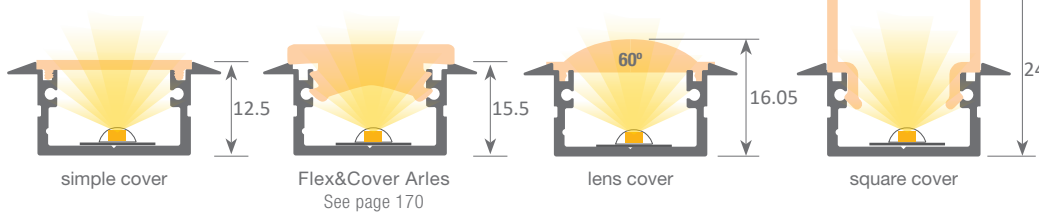
Its cover (available in 8 different finishings), when combined with this profile, provides an IP65 rating to the luminaire. Therefore, the profile can be used in places with high levels of humidity, such as bathrooms, kitchens, gyms, spas, cold storage chambers, fridges and similar.

This profile and its covers are available in lengths of 2 and 6 metres, allowing us to carry out large projects where all the profiles do not need breaks. It is suitable for led strips with a maximum width of 15mm and a power not greater than 15W/m, as there is no ventilation when embedded in wooden surfaces. We recommend using it with our Canovelles-Barcelona-Gomera-COB ecoled strips.

**We offer a 10 year guarantee on the profiles and a 4 year guarantee on the cover.**

Scale 1:1

By applying the lens cover on the Berlin XL profile together with the flexible led strip we get a beam of 60° light. The information is just approximate. Please check with our technical department.



Scale 1:2



### Aluminium profile

04.005	anodised silver	2m
04.006	anodised black	2m
04.019	white lacquered*	2m
04.007	anodised silver	6m
04.008	anodised black	6m
04.018	white lacquered*	6m



### Plastic endcaps

19.059	grey without hole*
19.060	grey with hole*
19.320	black with hole
19.321	black without hole
19.455	white with hole
19.454	white without hole

\*Roma XL endcaps can also be used



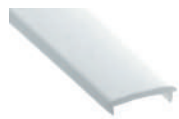
### Clip

20.009	chrome steel
20.010	black oxide finish



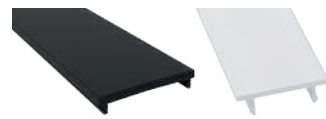
### 90° angle bracket

22.001	steel (52x13mm)
--------	-----------------



### Polycarbonate cover "easy-ON"

18.022	transparent	2m
18.023	opal	2m
18.024	frosted	2m
18.025	transparent	6m
18.026	opal	6m
18.027	frosted	6m
18.170	frosted	60m



### Black&White cover "easy-ON"

18.028	Black&White	2m
18.029	Black&White	6m

### Polycarbonate cover

18.127	frosted	2m
18.126	frosted	6m

\*Compatible with XL profiles in white



### Polycarbonate cover "easy-ON"

18.130	microprism	2m
18.129	microprism	6m

### Polycarbonate cover with side wings

18.132	frosted	2m
18.131	frosted	6m



### Square cover

18.032	frosted	2m
18.102	Black&White	2m
18.033	frosted	6m
18.034	Black&White	6m

### Methacrylate UV cover "easy-ON"

18.181	frosted	2m
18.180	frosted	6m

\* This profile in white lacquered is not compatible with the easy-ON cover.



Patente Europea  
Nº.: 13156605.1

Aluminium alloy extrusion process in accordance with: ISO 9001:2008 - ISO 14001 / Tolerances defined by: UNE-EN 755-9 / UNE-EN 12020-2  
Theoretical weight: 0.187kg / Alloy: 6063 / Perimeter: 120mm / Anodising minimum: 15 microns  
Aluminium purity: 95-98% / Material treatment: T-5 / Covers: Fireproof V0