

led profile by Luz Negra

Our PROFESSIONAL led profile series for angles is manufactured in high purity aluminium and available in anodised silver, black and white lacquered. Ideal for wall surfaces, shelving and similar areas where a width greater than the standard is required. This allows us to use wider led strips for an increased heat dissipation and a wider angle of light emission.

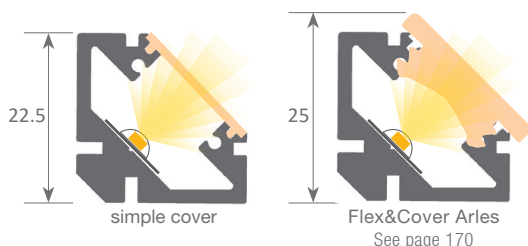
Its "easy-ON" cover (available in 6 different finishings), when combined with this profile, provides an IP65 rating to the luminaire. Therefore, the profile can be used in places with high levels of humidity, such as bathrooms, kitchens, gyms, spas, cold storage chambers, fridges, or others.

This profile and its covers are available in lengths of 2 and 6 metres, allowing us to carry out large projects where all the profiles do not need breaks. It is suitable for led strips with a maximum width of 15mm and a power not greater than 35W/m. In order to obtain a more homogeneous and diffused illumination, we recommend the combined use of both our opal covers and Canovelles-Barcelona-Gomera-COB ecoled strips.

We offer a 10 year guarantee on the profiles and a 4 year guarantee on the covers.

Scale 1:1

By applying the lens cover on the Sophia XL profile together with the flexible led strip we get a beam of 40° light. The information is just approximate. Please check with our technical department.



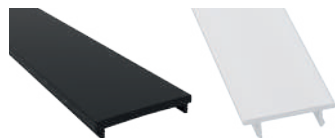
Aluminium profile

| | | |
|--------|------------------|----|
| 05.011 | anodised silver | 2m |
| 05.012 | anodised black | 2m |
| 05.026 | white lacquered* | 2m |
| 05.013 | anodised silver | 6m |
| 05.014 | anodised black | 6m |
| 05.025 | white lacquered* | 6m |



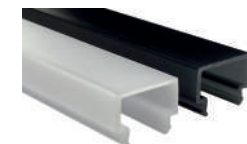
Polycarbonate cover "easy-ON"

| | | |
|--------|-------------|-----|
| 18.022 | transparent | 2m |
| 18.023 | opal | 2m |
| 18.024 | frosted | 2m |
| 18.025 | transparent | 6m |
| 18.026 | opal | 6m |
| 18.027 | frosted | 6m |
| 18.170 | frosted | 60m |



Black&White cover "easy-ON"

| | | |
|--------|-------------|----|
| 18.028 | Black&White | 2m |
| 18.029 | Black&White | 6m |



Square cover

| | | |
|--------|-------------|----|
| 18.032 | frosted | 2m |
| 18.102 | Black&White | 2m |
| 18.033 | frosted | 6m |
| 18.034 | Black&White | 6m |

Polycarbonate cover

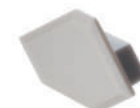
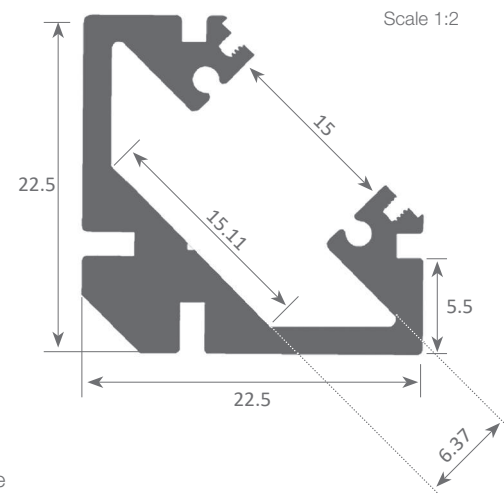
| | | |
|--------|---------|----|
| 18.127 | frosted | 2m |
| 18.126 | frosted | 6m |

*Compatible with XL profiles in white

SOPHIA XL



IP65



Plastic endcaps

| | |
|--------|--------------------|
| 19.071 | grey without hole |
| 19.072 | grey with hole |
| 19.294 | black with hole |
| 19.295 | black without hole |
| 19.430 | white without hole |
| 19.431 | white with hole |



Polycarbonate cover "easy-ON"

| | | |
|--------|-----------|----|
| 18.130 | micropism | 2m |
| 18.129 | micropism | 6m |

Polycarbonate cover with side wings

| | | |
|--------|---------|----|
| 18.132 | frosted | 2m |
| 18.131 | frosted | 6m |



Methacrylate UV cover "easy-ON"

| | | |
|--------|---------|----|
| 18.181 | frosted | 2m |
| 18.180 | frosted | 6m |

* This profile in white lacquered is not compatible with the easy-ON cover.



Patente Europea
Nº.: 13156605.1

Aluminium alloy extrusion process in accordance with: ISO 9001:2008 - ISO 14001 / Tolerances defined by: UNE-EN 755-9 / UNE-EN 12020-2
Theoretical weight: 0.430kg / Alloy: 6063 / Perimeter: 146mm / Anodising minimum: 15 microns
Aluminium purity: 95-98% / Material treatment: T-5 / Covers: Fireproof V0



SOPHIA profile
+ embedding clip "20.012"



SOPHIA profile
+ hanging KIT "21.001"



Clip

- 20.012 chrome steel
- 20.013 black oxide finish



Hanging KIT

- 21.001 chrome set of 2 units
- 21.002 white set of 2 units
- 21.003 black set of 2 units
(clip not included)