



# LUZ NEGRA

linear lighting solutions

## MONTERREY

Our led profile PROFESSIONAL series for surface is manufactured in 6 different colours of polycarbonate. The profile is suitable for perimetral illumination and can be used in facades, buildings or similar.

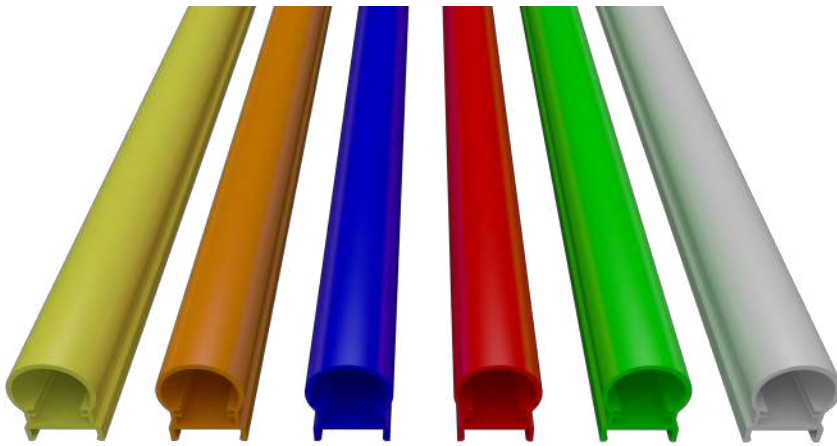
It is compatible with led strips with a maximum thickness of 15mm and a power not greater than 20W/m.

We recommend using our ecoled strips Canovelles-Vizcaya-Cob IP67- Castellón RGB in order to achieve a more uniform and homogeneous illumination.

**Designed by Luz Negra - Made in Spain**

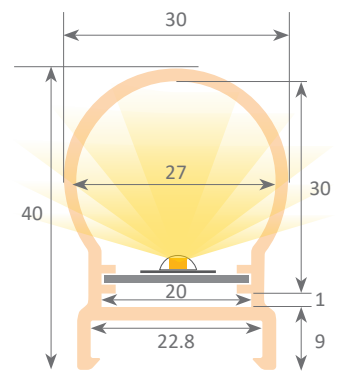


### Polycarbonate profile

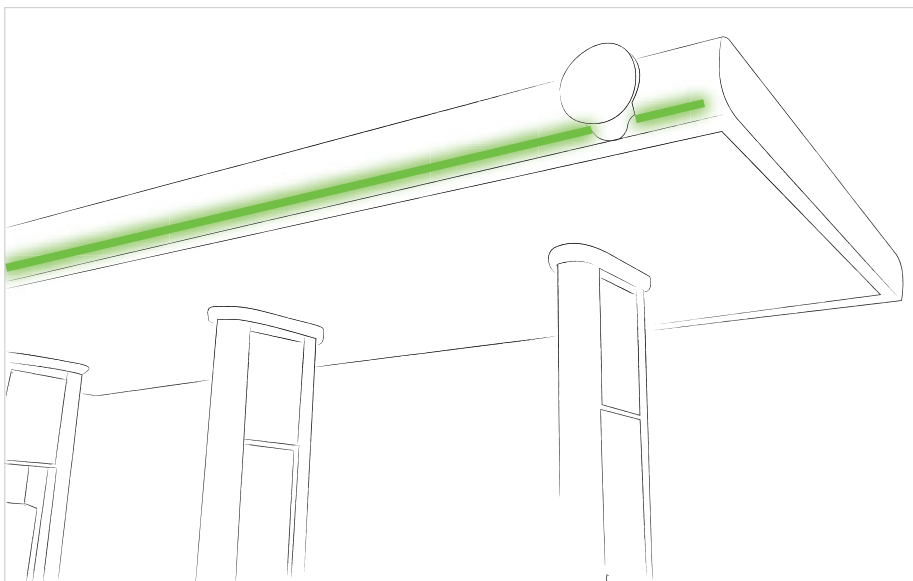


08.023	08.024	08.025	08.026	08.027	08.028
yellow 118cm	orange 118cm	blue 240cm	red 240cm	green 240cm	white 240cm

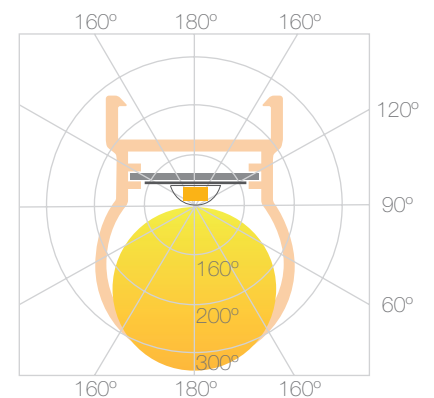
Scale 1:1



### Example:



### Light beam angle:



**Complements:**



**Clip**  
20.053 polycarbonate



**Junction**  
22.171 red  
22.172 blue  
22.173 white



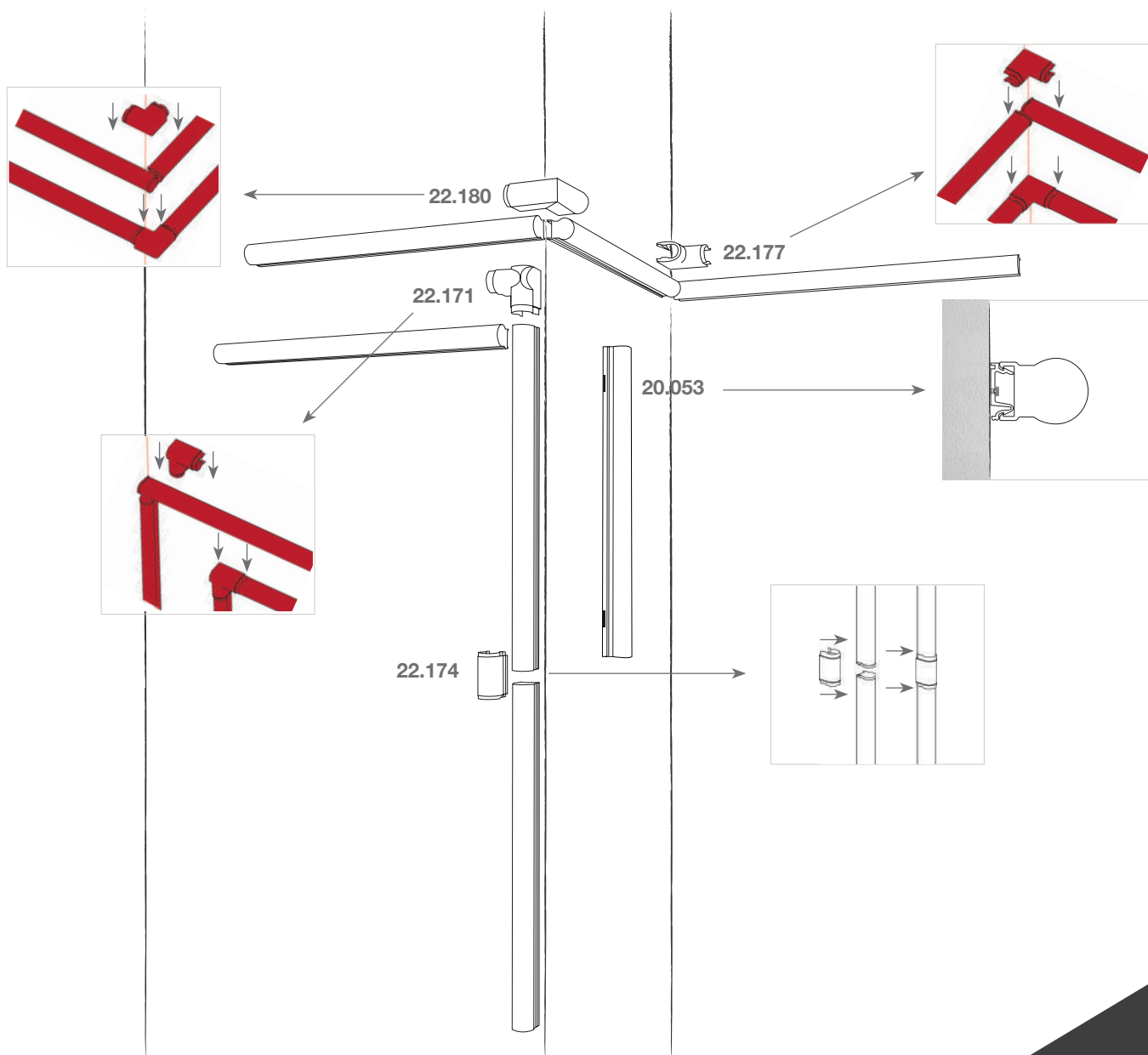
**Internal corner**  
22.177 red  
22.178 blue  
22.179 white



**External corner**  
22.180 red  
22.181 blue  
22.182 white

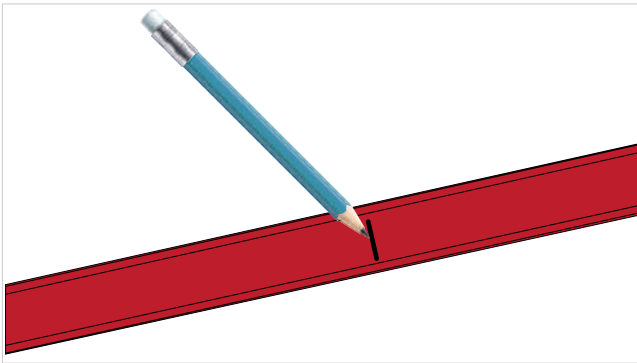


**Joint**  
22.174 red  
22.175 blue  
22.176 white

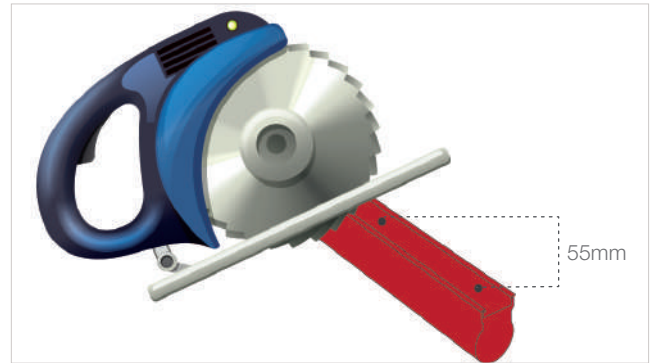


Step-by-step installation:

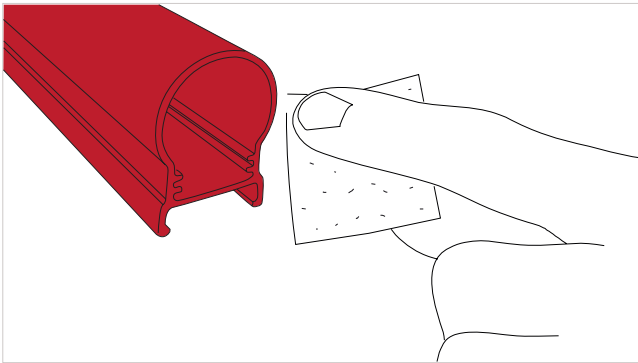
1.



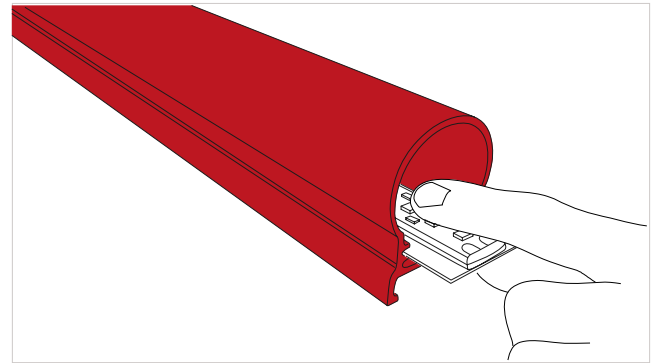
2.



3.



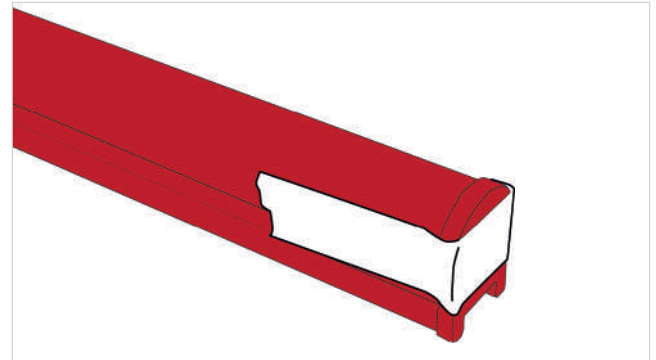
3.



4.



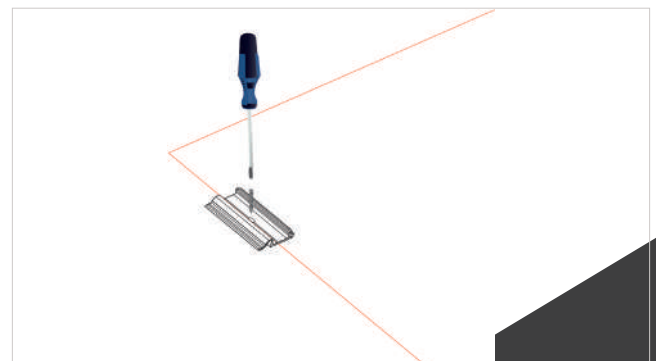
5.



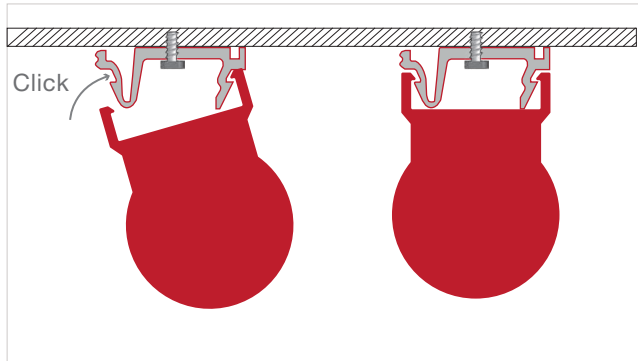
6.



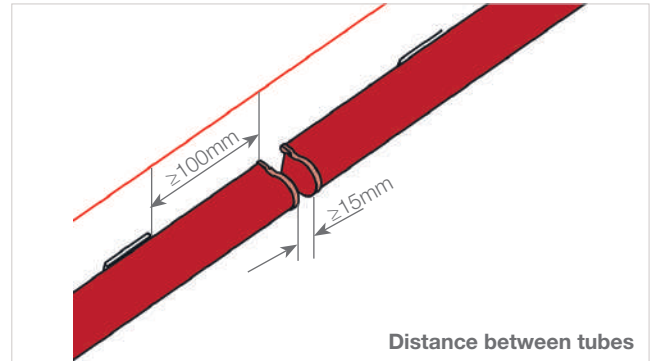
7.



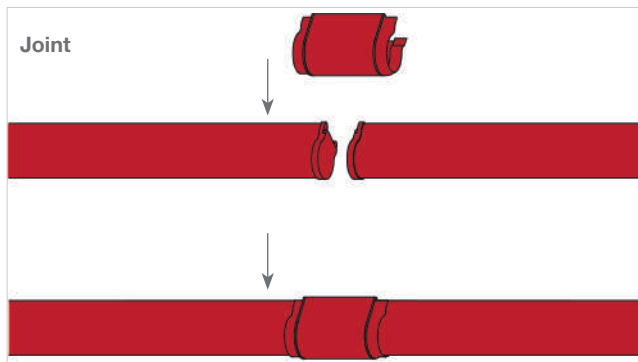
8.



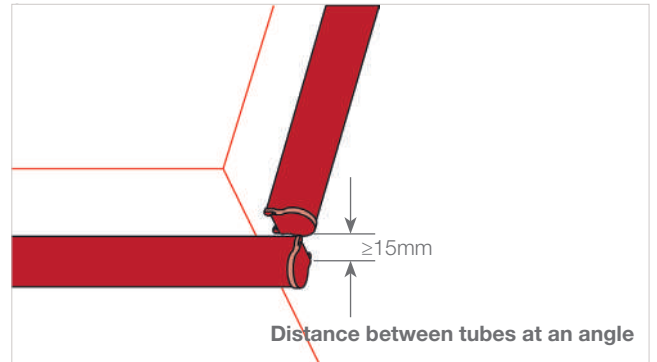
9.



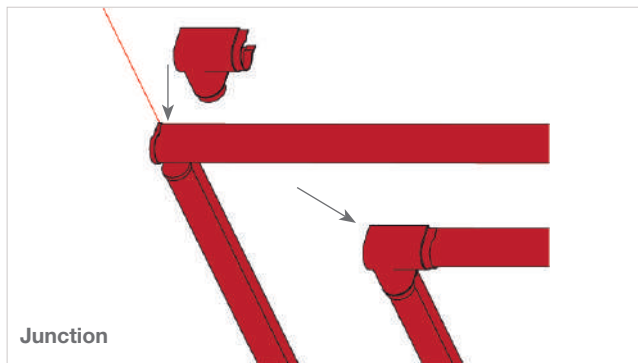
10.



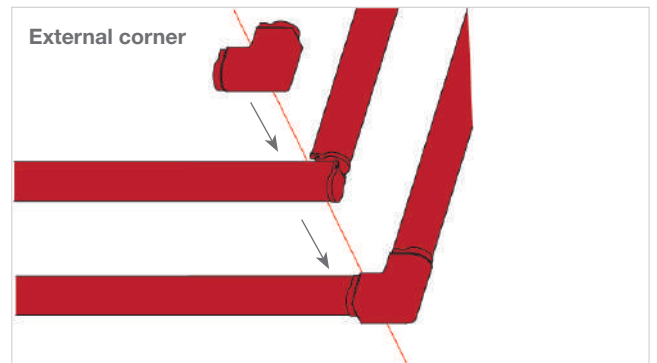
11.



12.



13.



14.

