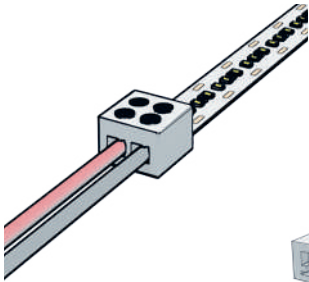


Connectors for non-waterproof strips. (with screw system, no need for welding)

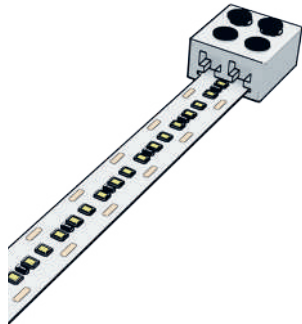
Our new IP20 connectors make led strip connections easier, as there is no soldering involved. Only 2 screws are required like in conventional terminal blocks.



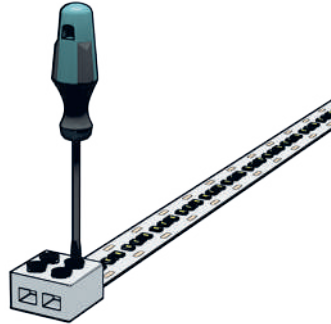
42.068 10mm PCB connectors



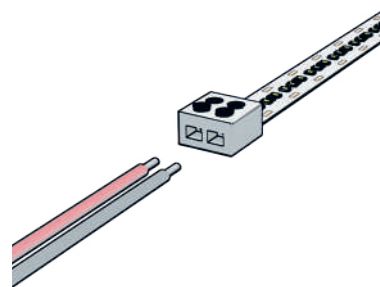
42.069 5-8mm PCB connectors



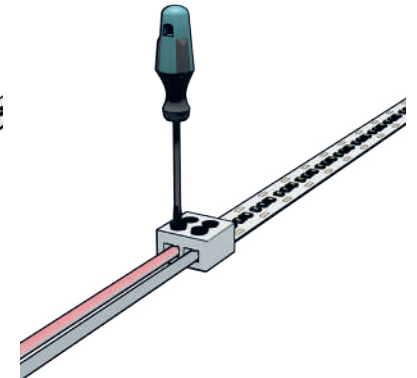
1. We place the strip inside the connector.



2. We tighten the screws on the connector to fix the led strip.



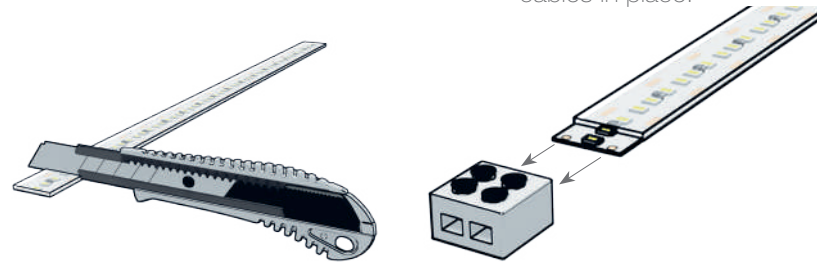
3. We connect the electric cable.



4. We tighten the screws on the connector to hold the cables in place.

We can also use these connectors for waterproof led strips, but we have to remove the silicone layer.

IMPORTANT: the connection will only be IP20.



Connectors compatible with our led strips:

42.068:

- ALCORCON
- BARCELONA
- CANOVELLES
- VIZCAYA
- ELITE
- IBIZA PRO
- PINK 20
- RUBI
- HIERRO
- LANZAROTE

42.068:

- GOMERA
- TENERIFE
- PALMA
- ANTEQUERA
- PINTO
- MOSTOLES

42.069:

- GETAFE
- GRANOLLERS
- GRANADA
- JADE
- AVILA
- CIES
- PINK 10

Connectors compatible with Led Profile:

42.068:

- TORINO
- DUBLIN XL
- PARIS XL
- ROMA XL
- BERLIN XL
- SOPHIA XL
- INFERNO
- VERSALLES
- TEXAS
- NUEVA YORK
- PHILADELPHIA

42.069:

- All those permitted for the ref: 42.068
- SOPHIA
- ROMA
- BERLIN
- MIAMI