

RGB DIMMER WITH 3 FIXED CHANNELS

SEQUENCERS FOR LEDS

Ref: 41.023

5V - 12V -24V

RGB dimmer (3A x channel).

The 3 independent channels allow us to control, channel by channel, R, G & B and the intensity can be graduated for each colour. This colour will remain fixed until changed again. Colour degree controlled from 0% to 100%.

RGB dimmer for surfaces.

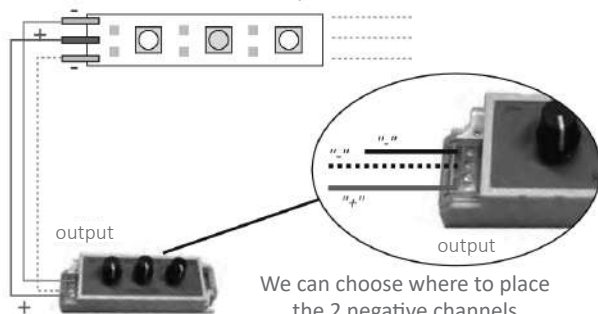
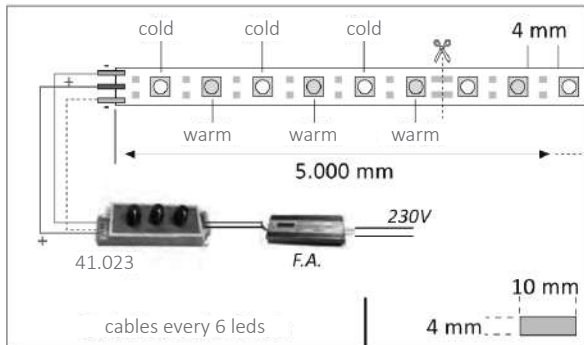
This product is not recommended for installations in areas with high levels of humidity (IP20).



W 45	W 108	W 216	5V	12V	24V	
power	power	power	voltage	voltage	voltage	IP20

Power (W)	45W (5V)
Power (W)	108W (12V)
Power (W)	216W (24V)
Channels (output)	3
Amps	3A x channel
Control	by buttons
Measurements	130x40x52mm
Regulation colours	0% - 100%
Waterproofing	IP20
Packaging	1 unit
Guarantee	2 years

Monocolor Installation Scheme with 41.023 static dimmer



We can choose where to place the 2 negative channels (red, green or blue channel)

Aprobado por:

BARCELONA
C/ Carles Buigues, 13
08420 Canovelles
Info@luznegra.net
Tel: +34 938 402 598

MADRID
C/ Adaptación, 27
28906 Getafe
centro@luznegra.net
Tel: +34 916 416 081

PARIS
113 Avenue Joffre
77450 Esbly
france@luznegra.net
Tel: +33 (0) 160 426 585