

# Topacio flexible led strips

## Features:

- Easy to install.
- Requires use of led profile for dissipation.
- Its flexible design adapts to any location where it will add a touch of colour.
- It can be used in spaces such as corridors, showcases, shelves, etc.
- Degree of protection: IP20.
- Easy assembly thanks to self-adhesive tape.



| Reference | Colour temp. | Lumens/m | Lumens/W | Energy efficiency |
|-----------|--------------|----------|----------|-------------------|
| 30.013    | 6000K        | 1364     | 118.31   | <b>F</b>          |
| 30.014    | 2800K        | 1289     | 108.61   | <b>F</b>          |

## Technical characteristics

### Technical data

|                        |          |
|------------------------|----------|
| Power (x metre)        | 11.52W/m |
| Power of the roll (5m) | 57.6W    |
| Voltage                | 12V      |
| Degree of protection   | IP20     |

### Led information

|                            |         |
|----------------------------|---------|
| Type of led                | SMD3528 |
| Number of leds per metre   | 144     |
| Number of leds per section | 3       |

### Temperatures and operating conditions

|                        |               |
|------------------------|---------------|
| Working temperature *1 | -40°C / +60°C |
| Storage temperature    | -10°C / +45°C |

### Photometric data

|                    |      |
|--------------------|------|
| CRI                | -    |
| R9                 | -    |
| Colour consistency | -    |
| Opening angle      | 120° |

### Services

|               |         |
|---------------|---------|
| Dimmable      | Yes *2  |
| Self-adhesive | 3M tape |
| Apt for       | Indoor  |

\*2 Adjustable with appropriate controllers.

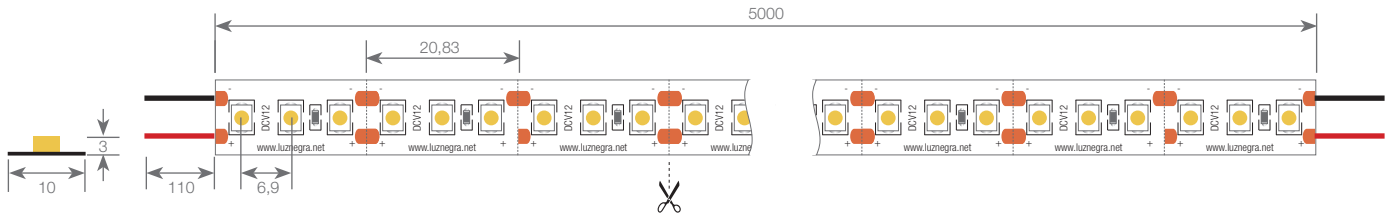
### Useful lifespan

|                       |            |
|-----------------------|------------|
| Estimated lifespan    | 30.000h *3 |
| Daily recommended use | 12h        |

\*3 Depending on the dissipation of the profile, the daily working hours and the external environmental working temperature.



# Ruban flexible Topacio



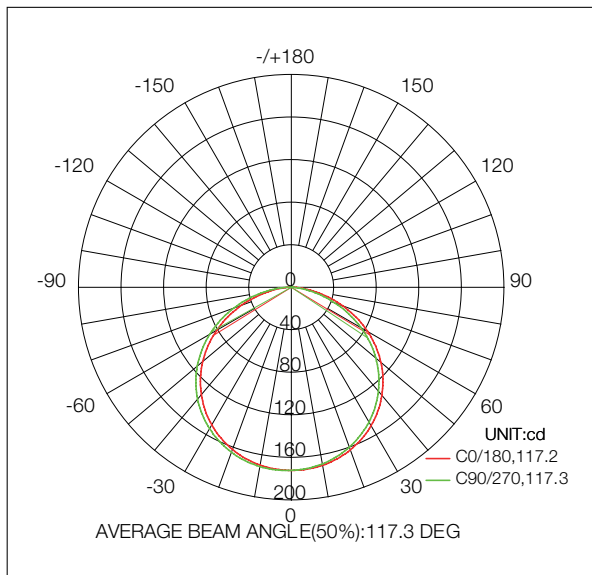
## Dimensiones

|                       |        |                        |                      |
|-----------------------|--------|------------------------|----------------------|
| Length                | 5000mm | Cutting section length | 20.83mm              |
| Width                 | 5mm    | Cable length           | 110mm                |
| Height                | 3mm    | Cable section          | 2x0.5mm <sup>2</sup> |
| Distance between leds | 4.5mm  |                        |                      |

## Conexionado

|                                    |    |                                      |     |
|------------------------------------|----|--------------------------------------|-----|
| Maximum connection in open circuit | 5m | Maximum connection in closed circuit | 10m |
|------------------------------------|----|--------------------------------------|-----|

## Photometric curves

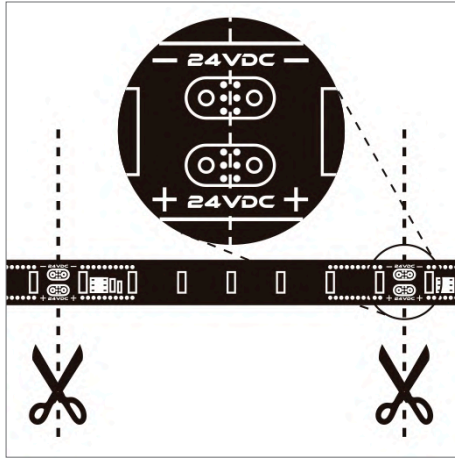


# Ruban flexible Topacio

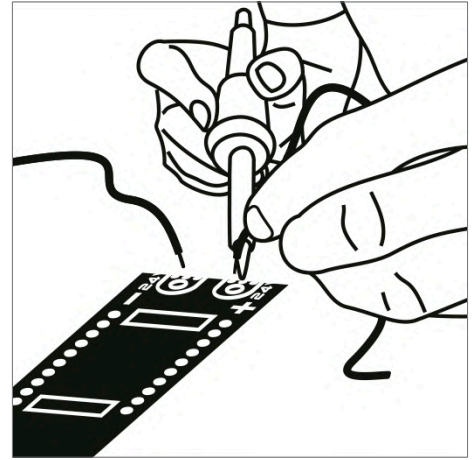
## Assembly instructions



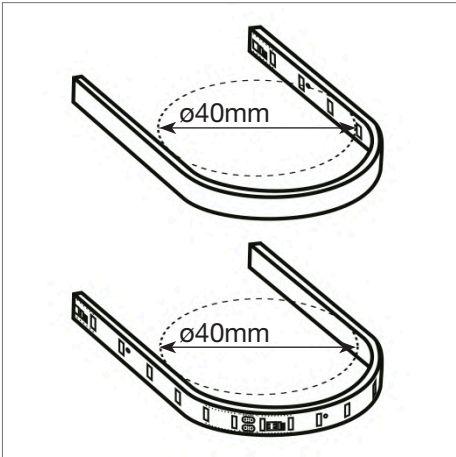
1. Clean the installation surface from dirt and grease.



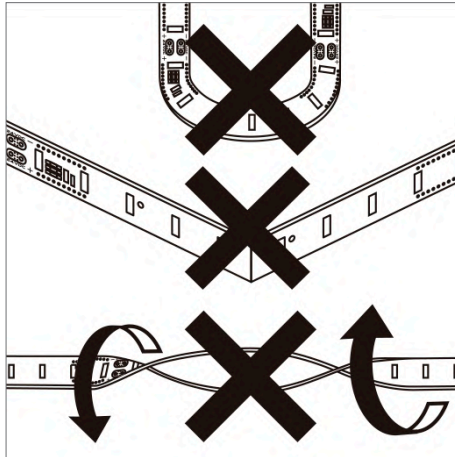
2. Cut only along the lines indicated on the PCB.



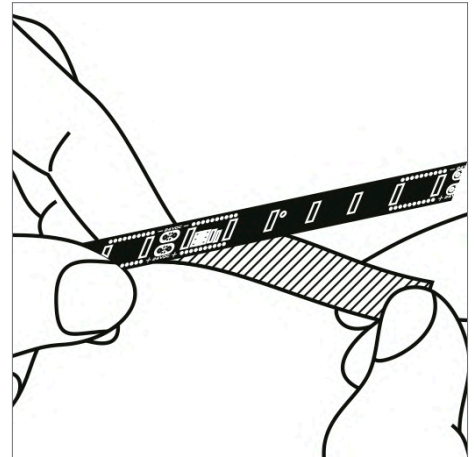
3. Polarity (+/-) must be respected. The soldering temperature must not exceed 360°.



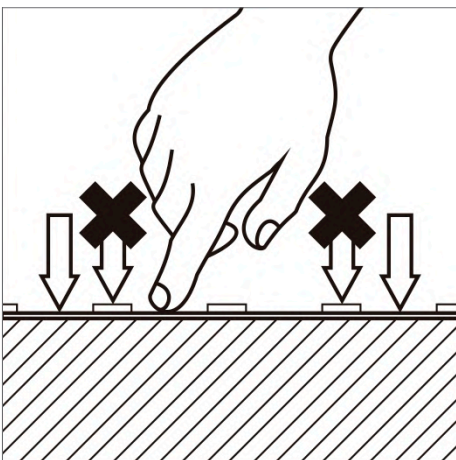
4. The bending diameter of the flexible strips must not be more than  $\varnothing 40\text{mm}$ .



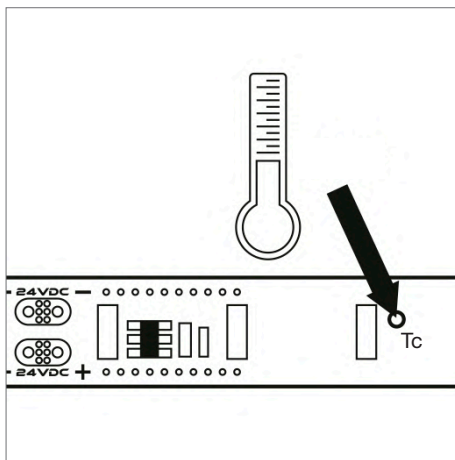
5. Flexible strips must not be twisted or bent at sharp angles.



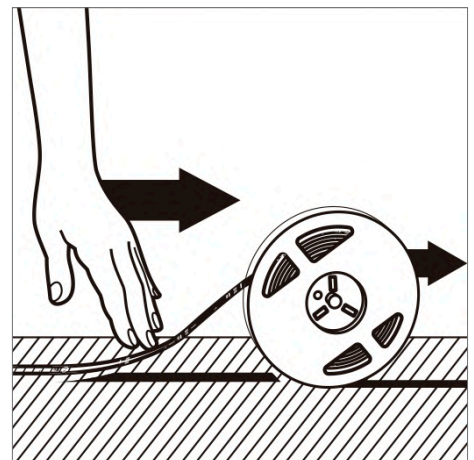
6. Fix by removing the back tape protector.



7. When applying the strip, press between the leds and not on the surface of the led.



8. The use of an aluminium profile is recommended for heat dissipation. The temperature should not exceed the recommended values in the data sheet\*1.



9. Only handle the flexible strip when off unwind and place gradually.