

COB IP67 flexible led strips

Features:

- COB design.
- They allow linear illumination without the led spots being visible.
- Provides a continuous and uniform light effect.
- Wide beam angle, softer light.
- Our COB led strips have a small iron strip incorporated at the back of the PCB which improves heat dissipation.
- Its strong point is that it offers 80% more in torsional resistance.
- Easy assembly thanks to self-adhesive tape.



Reference	Colour temp.	Lumens/m	Lumens/W	Energy efficiency
31.106	6500K	1702	117.17	F
31.105	4000K	1674	117.62	F
31.104	3000K	1531	107.41	F

Technical characteristics

Technical data

Power (x metre)	15W/m
Power of the roll (5m)	75W
Voltage	24V
Degree of protection	IP67

Led information

Type of led	COB
Number of leds per metre	480
Number of leds per section	24

Temperatures and operating conditions

Working temperature *1	-25°C / +40°C
Storage temperature	-40°C / +80°C

Photometric data

CRI	>85
R9	>50
Colour consistency	≤3 sdcn
Opening angle	180°

Services

Dimmable	Yes *2
Self-adhesive	3M VHD tape
Apt for	Indoor / Outdorr

*2 Adjustable with appropriate controllers.

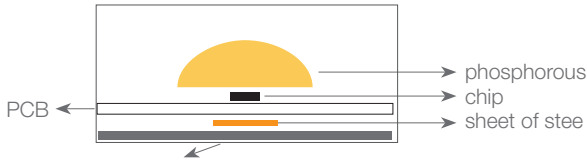
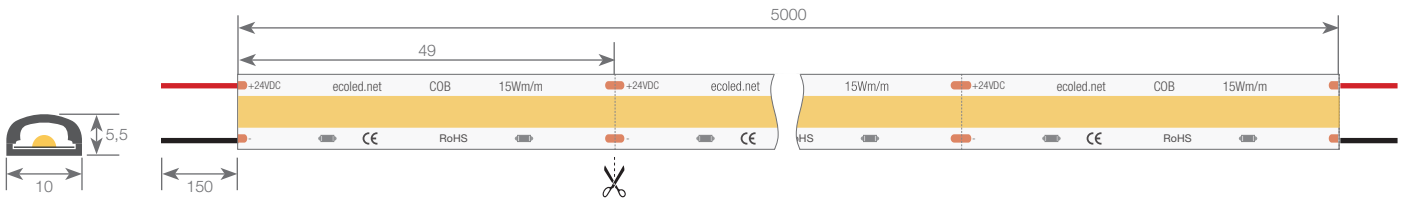
Useful lifespan

Estimated lifespan	50.000h *3
Daily recommended use	12h

*3 Depending on the dissipation of the profile, the daily working hours and the external environmental working temperature.



COB IP67 flexible led strips



3M VHB adhesive thermal tape

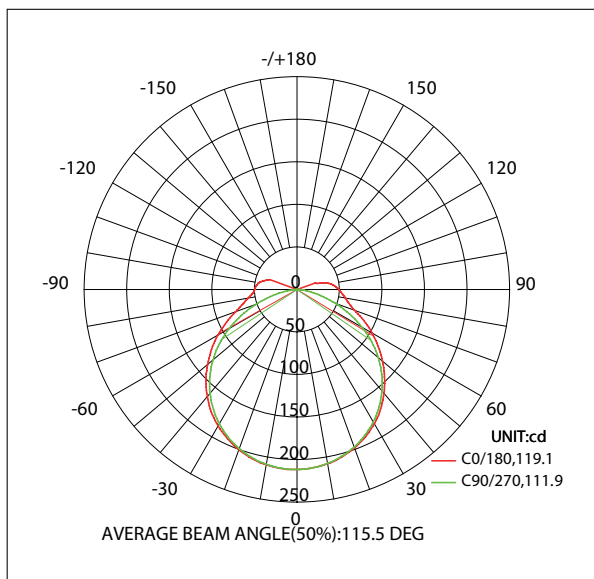
Dimensions and weight

Length	5000mm	Cutting section length	50mm
PCB width	8mm	Cable length	150mm
Total Width	10mm	Cable section	2x0.5mm ²
Height	5.5mm		

Connection

Maximum connection in open circuit	5m	Maximum connection in closed circuit	10m
------------------------------------	----	--------------------------------------	-----

Photometric curves

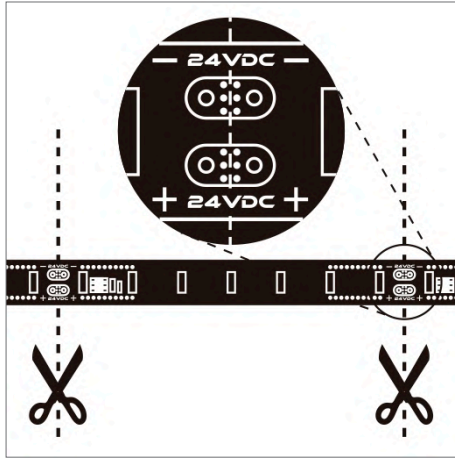


COB IP67 flexible led strips

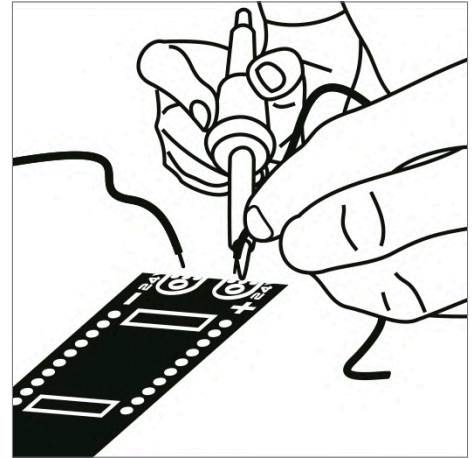
Assembly instructions



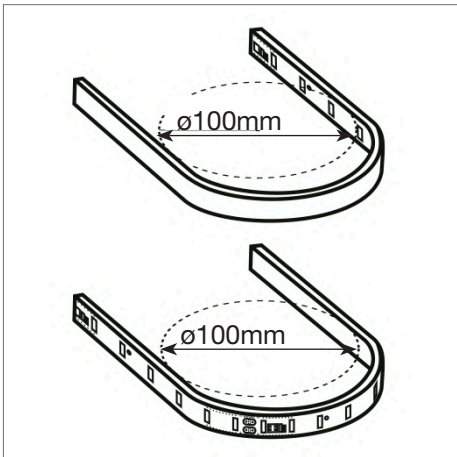
1. Clean the installation surface from dirt and grease.



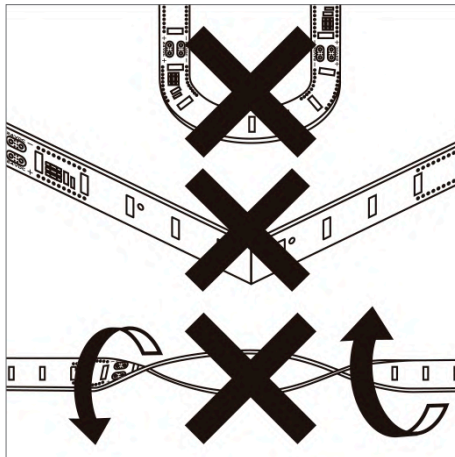
2. Cut only along the lines indicated on the PCB.



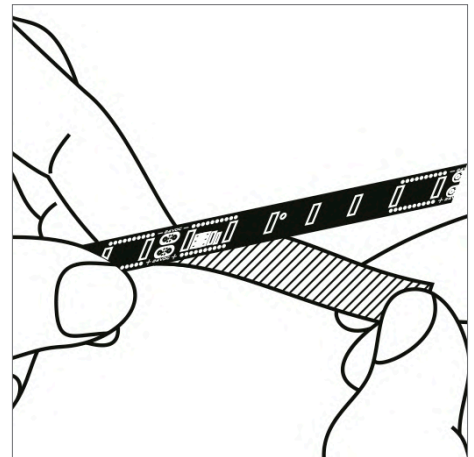
3. Polarity (+/-) must be respected. The soldering temperature must not exceed 360°.



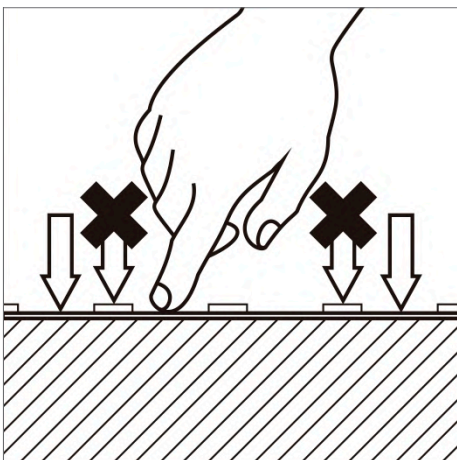
4. The bending diameter of the flexible strips must not be more than $\varnothing 100\text{mm}$.



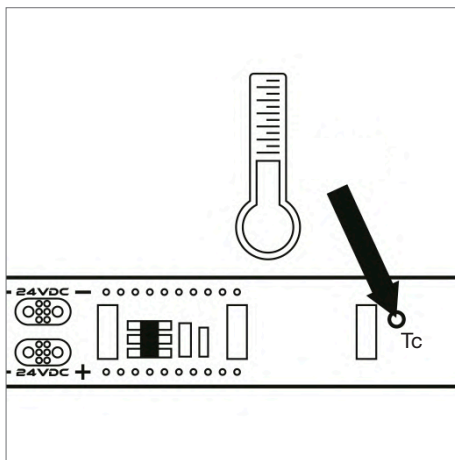
5. Flexible strips must not be twisted or bent at sharp angles.



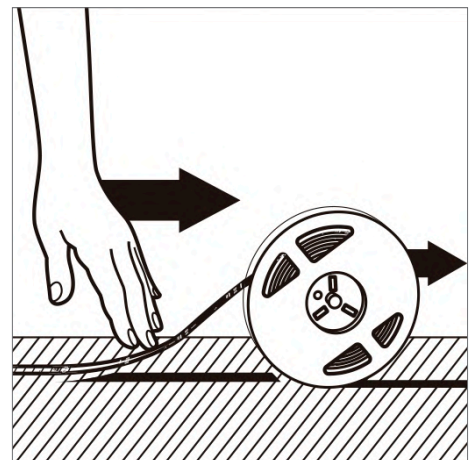
6. Fix by removing the back tape protector.



7. When applying the strip, press between the leds and not on the surface of the led.



8. The use of an aluminium profile is recommended for heat dissipation. The temperature should not exceed the recommended values in the data sheet*1.



9. Only handle the flexible strip when off unwind and place gradually.