

SIGNAL RECEIVER

SEQUENCERS FOR LEDS

Ref: 41.019

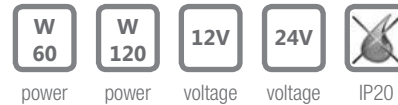
Receiver 12V -24V

Characteristics

- Is a dual colour constant voltage RF receiver.
- Warm white and cold white dual colour RF controller.
- High reliability and stability.
- Multiple zones can be controlled separately or synchronised.
- 256 level smooth brightness adjustment enables the RF controller to store millions of colour temperature.
- Can be controlled by push button.

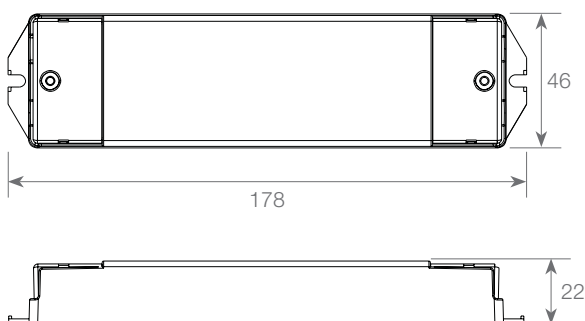
Compatible with controller:

- 41.018



Power (W)	60W (12V)
Power (W)	120W (24V)
Channels (output)	4
Amps	5A x channel
Signal detection distance	20m
Control	remote control
Measurements	178x46x22mm
Colour regulation	yes
Feeding type	via cable
Working temperature	-20°C /+50°C
Waterproofing	IP20
Fixing	can be installed using screws or double-sided tape, none of the fixing components included
Packaging	1 unit
Guarantee	2 years

Approved by: 



BARCELONA
C/ Carles Buhigues, 13
08420 Canovelles
Info@luznegra.net
Tel: +34 938 402 598

MADRID
C/ Adaptación, 27
28906 Getafe
centro@luznegra.net
Tel: +34 916 416 081

PARIS
113 Avenue Joffre
77450 Esbly
france@luznegra.net
Tel: +33 (0) 160 426 585

SIGNAL RECEIVER

SEQUENCERS FOR LEDS

Safety & warnings

- Do not install with power applied to device.
- Do not expose the device to moisture.

Operation

Do wiring according to connection diagram.

Pair RF receiver with RF remote:

1. Connect and wire up the RF receiver correctly, power on.
2. Turn on the remote, click the “Learning Key” button on receiver, immediately click a zone number to pair the receiver to the specified zone if the remote is a multi-zone controller (if it is a single zone remote, this step is unnecessary), then touch the colour wheel or slider bar on the remote (if the remote does not have colour wheel or slider bar, click or touch any keys), the connected led light on receiver flickers twice, which means well paired.

Note: one receiver can be paired with max 8 remote controls.

Delete the pairing:

1. Wire up the RF receiver correctly, power on.
2. Hold down the “ Learning Key” button on receiver for over 3 seconds until the connected led light on receiver flickers twice, which means well deleted.

Push DIM:

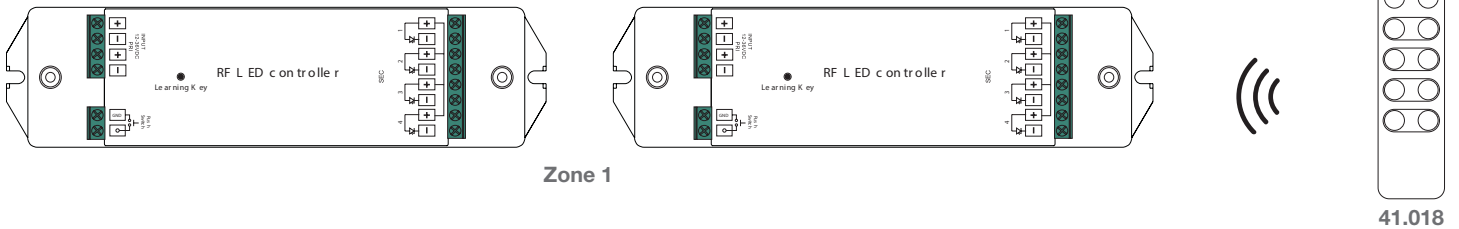
While connected with push switch, click the button to switch ON/OFF lights.

Press and hold down the button to increase/decrease light intensity to desired level then release it. Repeat the operation to adjust light intensity to opposite direction.

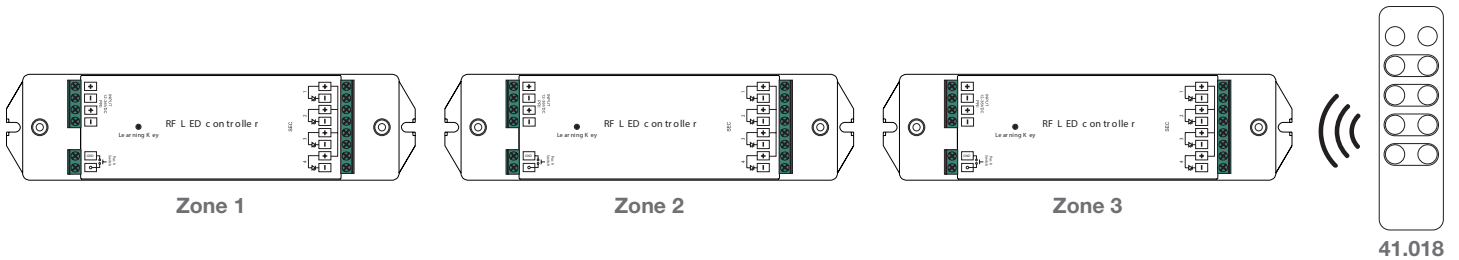
Double click the button to switch light intensity adjusting mode to colour temperature changing mode.

If you use multiple receivers, you have two options:

Option 1: have all the receivers in the same zone, like zone 1



Option 2: have each receiver in a different zone, like zone 1, 2, 3 or 4

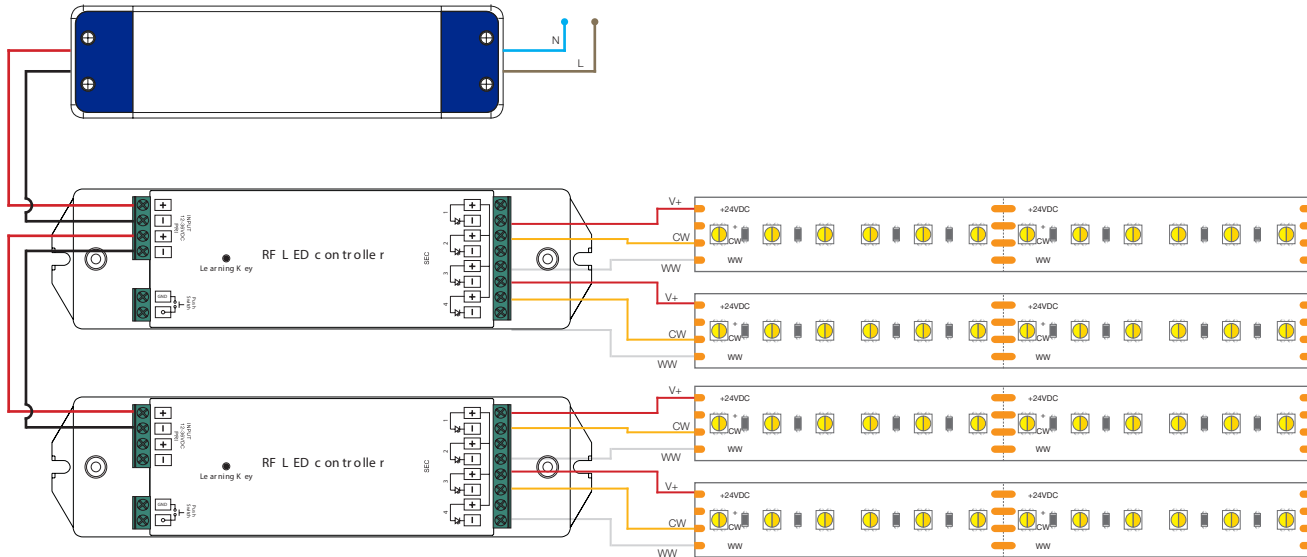


SIGNAL RECEIVER

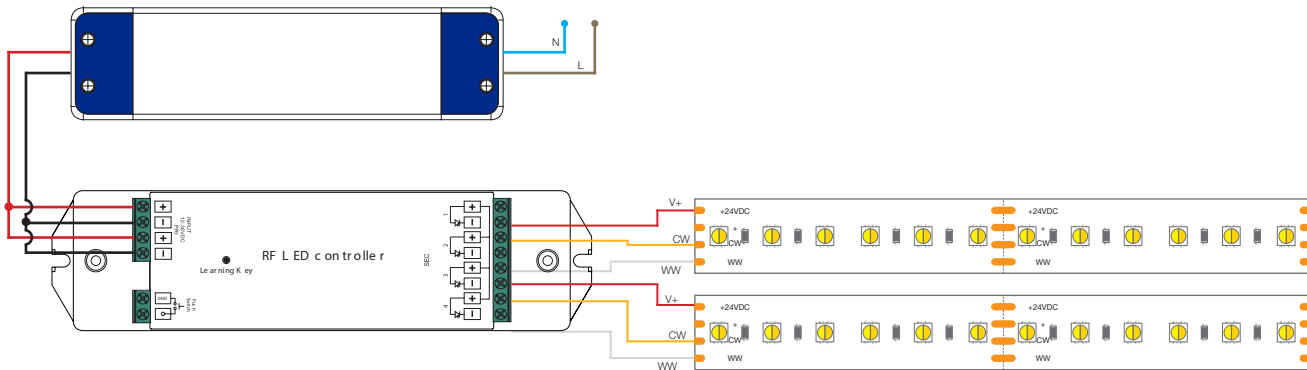
SEQUENCERS FOR LEDS

Type of connection:

1. When total load of each receiver is not over 10A



2. When total load of each receiver is over 10A

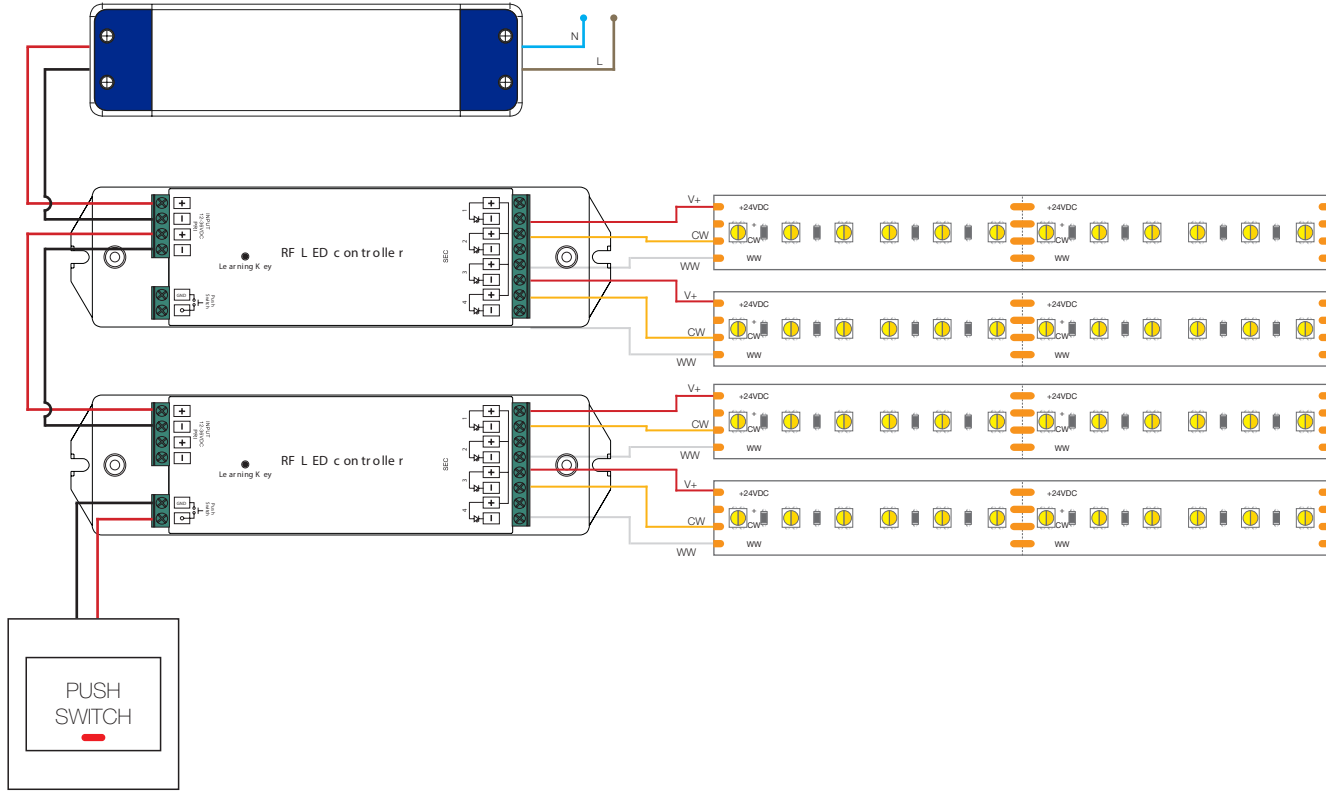


SIGNAL RECEIVER

SEQUENCERS FOR LEDS

With push switch

1. When total load of each receiver is not over 10A



2. When total load of each receiver is over 10A

