


COB blue flexible led strips

Features:

- COB design.
- They allow linear illumination without the led spots being visible.
- Provides a continuous and uniform light effect.
- Wide beam angle, softer light.
- Our COB led strips have a small iron strip incorporated at the back of the PCB which improves heat dissipation.
- Its strong point is that it offers 80% more in torsional resistance.
- Easy assembly thanks to self-adhesive tape.



Reference	Colour temp.	Lumens/m	Lumens/W	Energy efficiency
31.139	Blue	180	18	

Technical characteristics

Technical data

Power (x metre)	10W/m
Power of the roll (5m)	50W
Voltage	24V
Degree of protection	IP67

Led information

Type of led	COB
Number of leds per metre	384
Number of leds per section	15

Temperatures and operating conditions

Working temperature *1	-15C / +50°C
Storage temperature	-25°C / +45°C

Photometric data

CRI	-
R9	-
Colour consistency	-
Opening angle	180°

Services

Dimmable	Yes *2
Self-adhesive	3M tape
Apt for	Indoor / Outdoor

*2 Adjustable with appropriate controllers.

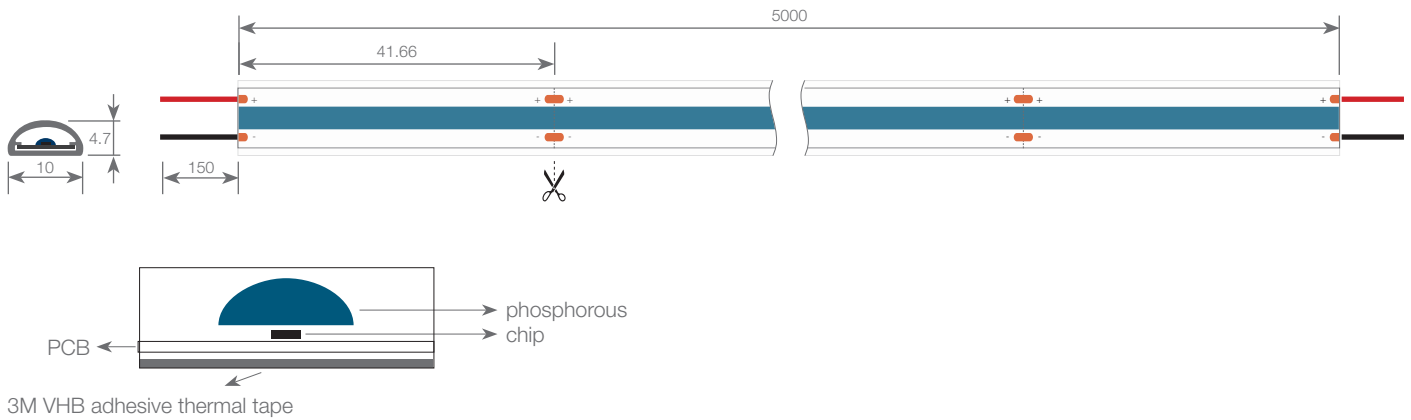
Useful lifespan

Estimated lifespan	50.000h *3
Daily recommended use	18h

*3 Depending on the dissipation of the profile, the daily working hours and the external environmental working temperature.



COB blue flexible led strips



Dimensions and weight

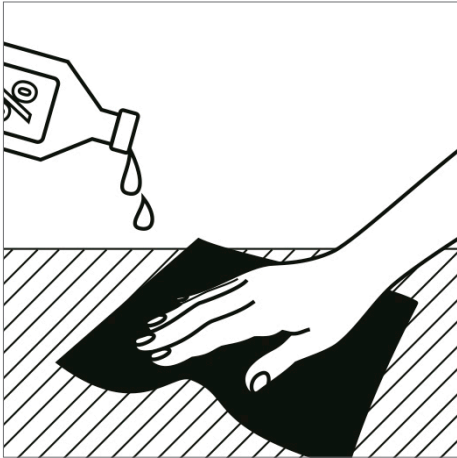
Length	5000mm	Cutting section length	41.66mm
Width	10mm	Cable length	150mm
Height	4.7mm	Cable section	2x0.5mm ²

Connection

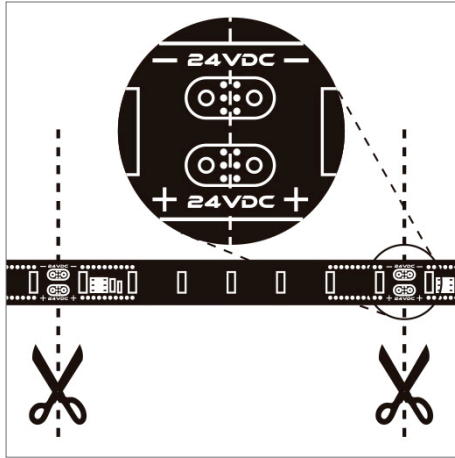
Maximum connection in open circuit	10m	Maximum connection in closed circuit	20m
------------------------------------	-----	--------------------------------------	-----

COB blue flexible led strips

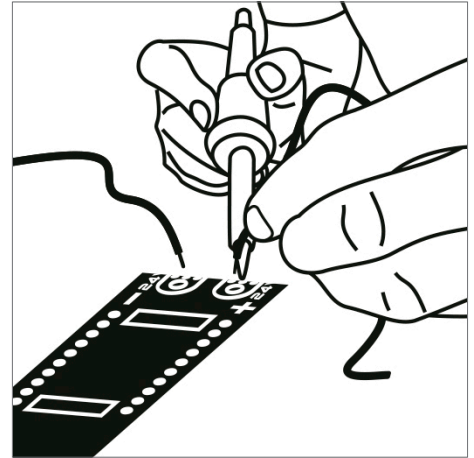
Assembly instructions



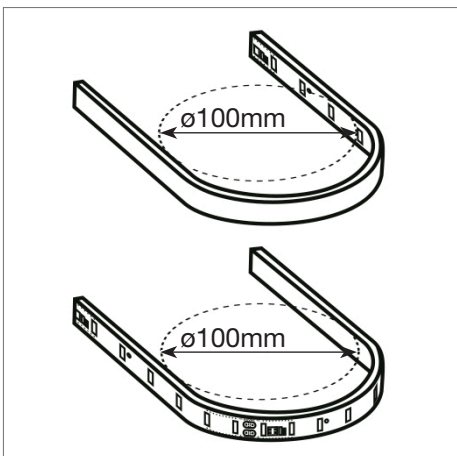
1. Clean the installation surface from dirt and grease.



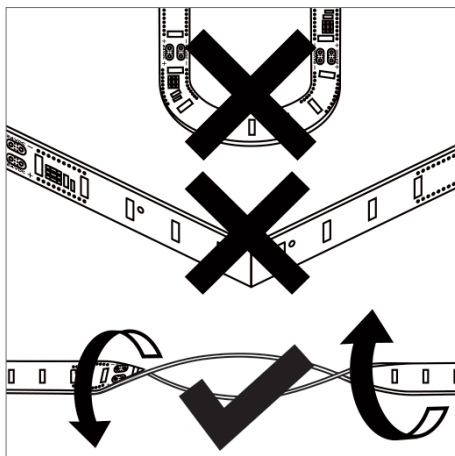
2. Cut only along the lines indicated on the PCB.



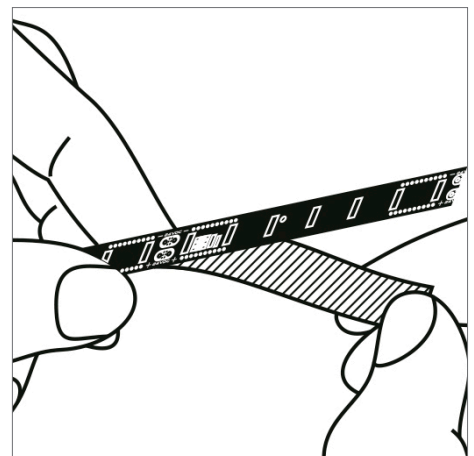
3. Polarity (+/-) must be respected. The soldering temperature must not exceed 360°.



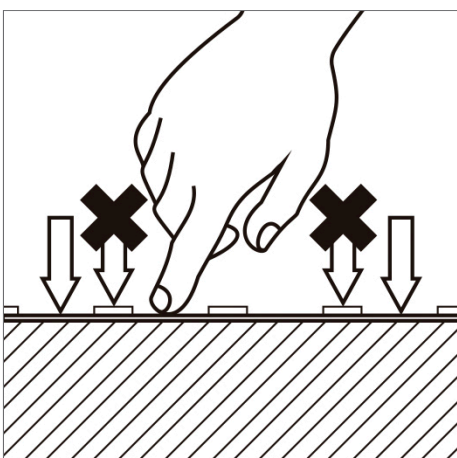
4. The bending diameter of the flexible strips must not be more than $\varnothing 100\text{mm}$.



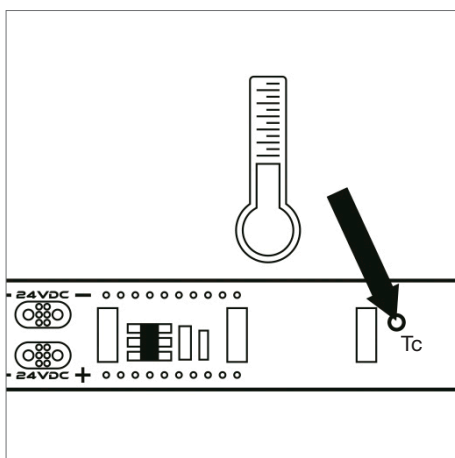
5. Flexible strips cannot be bent by the welding part. Never bend to an angle of 90°. It can have a radius of $\geq 20\text{mm}$ or an angle of 180°.



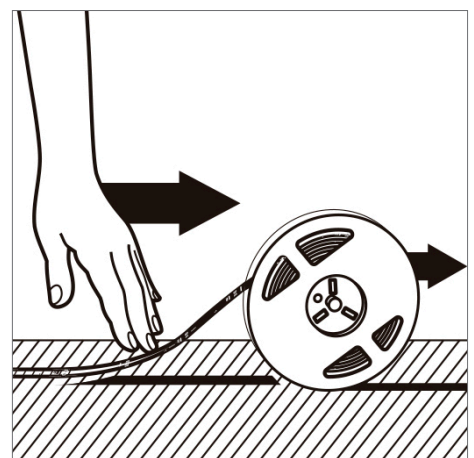
6. Fix by removing the back tape protector.



7. When applying the strip, press between the leds and not on the surface of the led.



8. The use of an aluminium profile is recommended for heat dissipation. The temperature should not exceed the recommended values in the data sheet*1.



9. Only handle the flexible strip when off unwind and place gradually.