

Gandia RGB+W flexible led strips

Features:

- Easy to install.
- Requires use of led profile for dissipation.
- It can be used in spaces such as corridors, showcases, shelves, etc.
- Degree of protection: IP67
- Easy assembly due to self-adhesive tape.



Reference	Colour temp.	Lumens/m	Lumens/W
33.193	RGB+W (3200K)	809	55

Technical characteristics

Technical data

Power (x metre)	14.4W/m
Power of the roll (5m)	72W
Voltage	24V
Degree of protection	IP67

Led information

Type of led	SMD5050
Number of leds per metre	60
Number of leds per section	6

Temperatures and operating conditions

Working temperature *1	-20°C / +40°C
Storage temperature	-40°C / +80°C

Photometric data

CRI	-
R9	-
Colour consistency	-
Opening angle	120°

Services

Dimmable	Yes *2
Self-adhesive	3M VHD tape
Apt for	Indoor / Outdoor

*2 Adjustable with appropriate controllers.

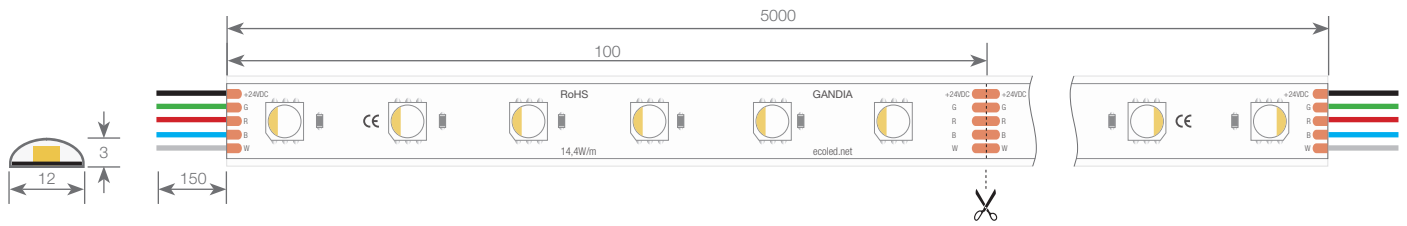
Useful lifespan

Estimated lifespan	50.000h *3
Daily recommended use	18h

*3 Depending on the dissipation of the profile, the daily working hours and the external environmental working temperature.



Gandia RGB+W flexible led strips



Dimensiones

Length	5000mm	Cutting section length	100mm
Width	12mm	Cable length	150mm
Height	3mm	Cable section	5x0.5mm ²

Conexionado

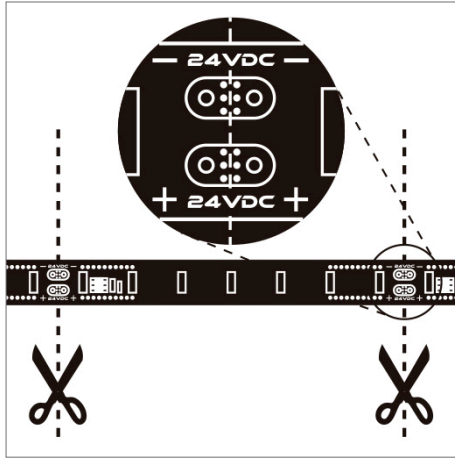
Maximum connection in open circuit	3m	Maximum connection in closed circuit	6m
------------------------------------	----	--------------------------------------	----

Gandia RGB+W flexible led strips

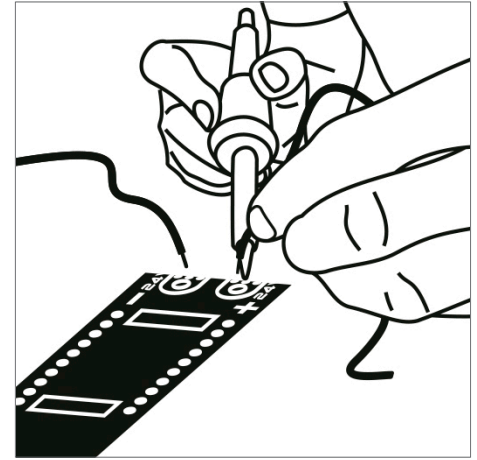
Assembly instructions



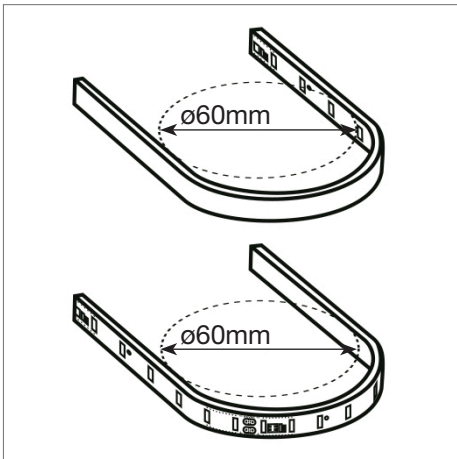
1. Clean the installation surface from dirt and grease.



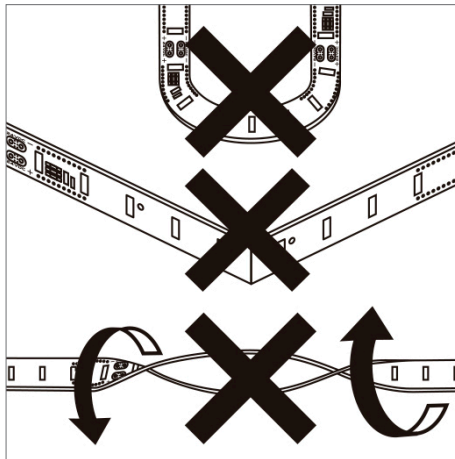
2. Cut only along the lines indicated on the PCB.



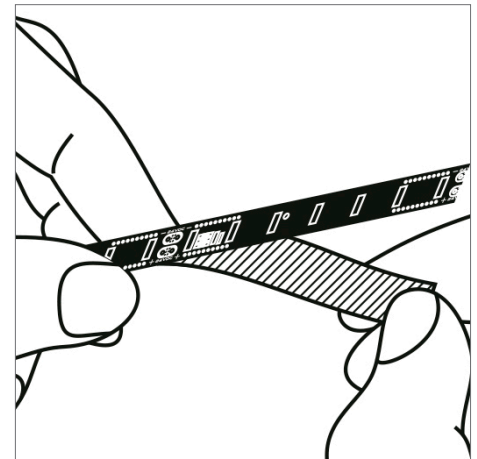
3. Polarity (+/-) must be respected. The soldering temperature must not exceed 360°.



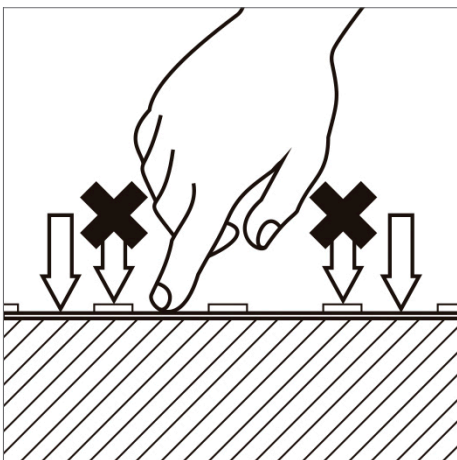
4. The bending diameter of the flexible strips must not be more than ø60mm.



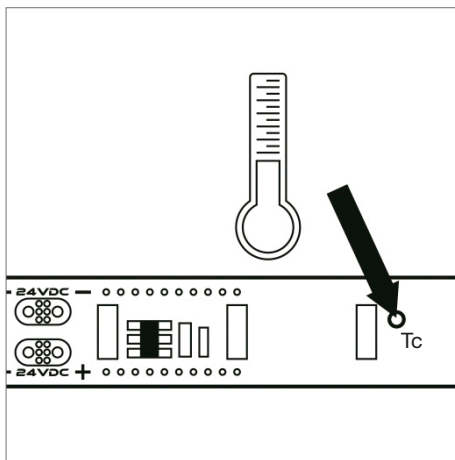
5. Flexible strips must not be twisted or bent at sharp angles.



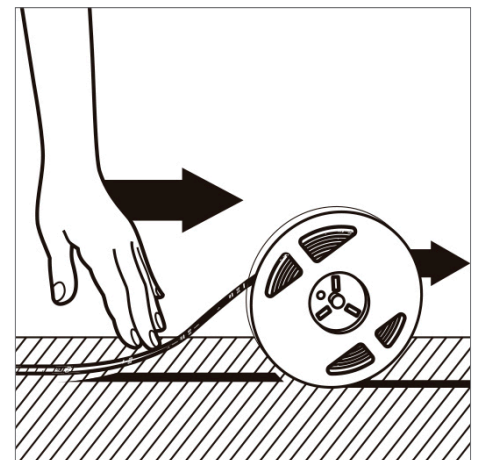
6. Fix by removing the back tape protector.



7. When applying the strip, press between the leds and not on the surface of the led.



8. The use of an aluminium profile is recommended for heat dissipation. The temperature should not exceed the recommended values in the data sheet*1.



9. Only handle the flexible strip when off unwind and place gradually.