

# Trevelez flexible led strips

## Features:

- Easy to install.
- Flexible led strip with a high CRI (Colour Rendering Index), which are specially indicated for the food industry: meats.
- Requires use with led profile for dissipation.
- Heat dissipation tape included.
- Degree of protection: IP54
- Easy assembly due to self-adhesive tape.



Reference	Colour temp.	Lumens/m	Lumens/W	Energy efficiency
33.033	2100K	1571	78	<b>G</b>

## Technical characteristics

### Technical data

Power (x metre)	20W/m
Power of the roll (5m)	100W
Voltage	24V
Degree of protection	IP54

### Led information

Type of led	SMD3528
Number of leds per metre	192
Number of leds per section	8

### Temperatures and operating conditions

Working temperature *1	-20°C / +40°C
Storage temperature	-40°C / +80°C

### Photometric data

CRI	>80
R9	75
Colour consistency	-
Opening angle	120°

### Services

Dimmable	Yes *2
Self-adhesive	3M VHD tape
Apt for	Indoor / Fridges

\*2 Adjustable with appropriate controllers.

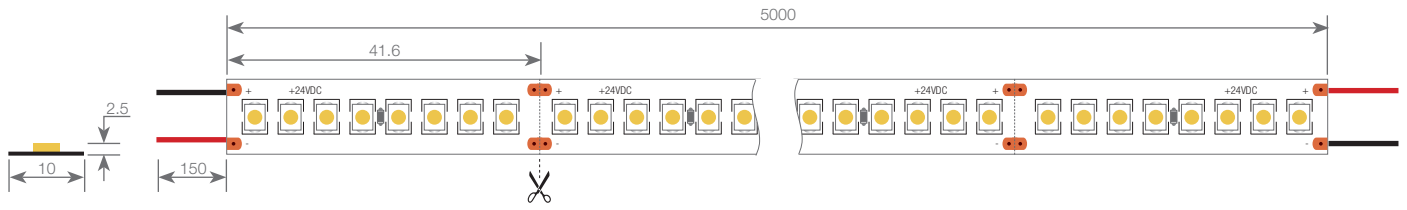
### Useful lifespan

Estimated lifespan	30.000h *3
Daily recommended use	18h

\*3 Depending on the dissipation of the profile, the daily working hours and the external environmental working temperature.



# Trevelez flexible led strips



## Dimensiones

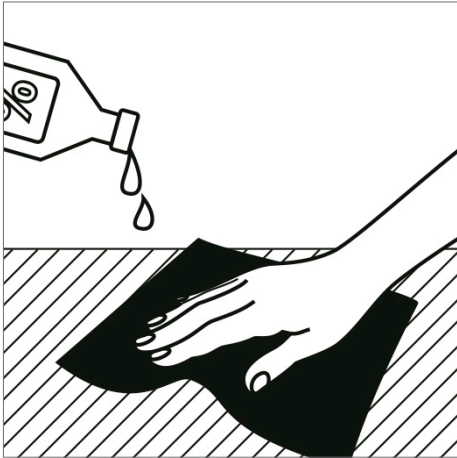
Length	5000mm	Cutting section length	41.6mm
Width	10mm	Cable length	150mm
Height	2.5mm	Cable section	2x0.5mm <sup>2</sup>

## Conexionado

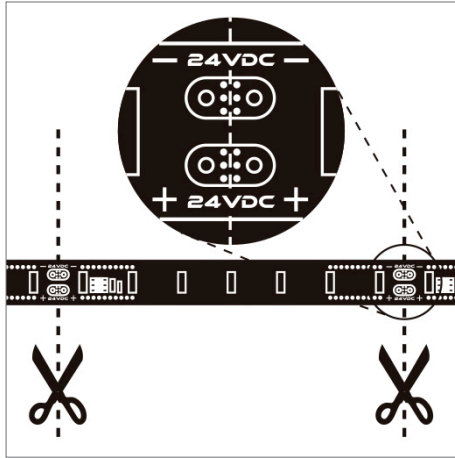
Maximum connection in open circuit	5m	Maximum connection in closed circuit	7m
------------------------------------	----	--------------------------------------	----

# Trevelez flexible led strips

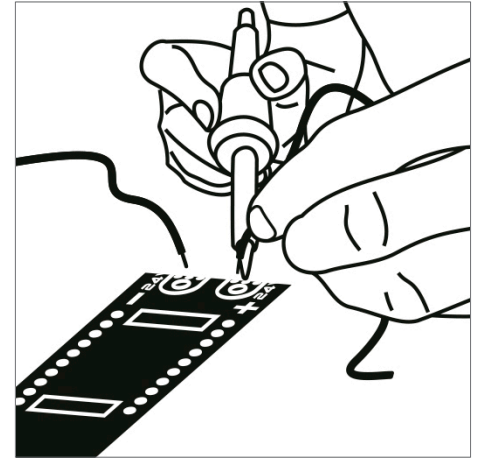
## Assembly instructions



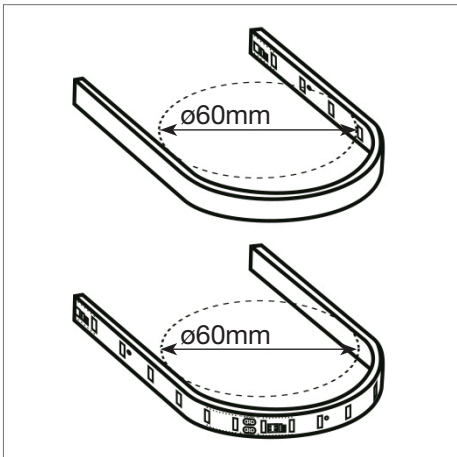
1. Clean the installation surface from dirt and grease.



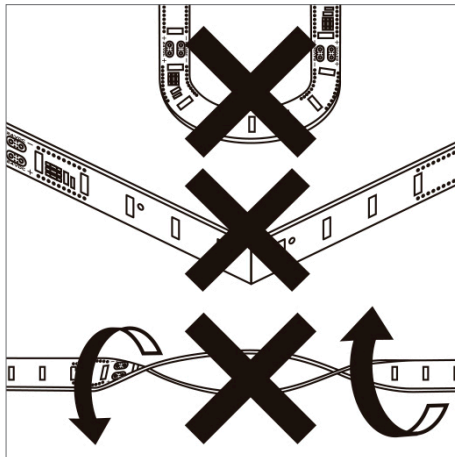
2. Cut only along the lines indicated on the PCB.



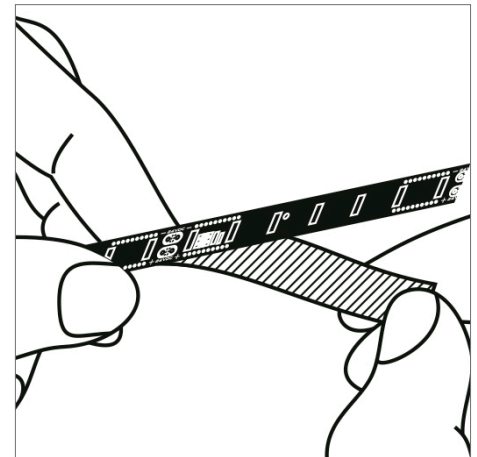
3. Polarity (+/-) must be respected. The soldering temperature must not exceed 360°.



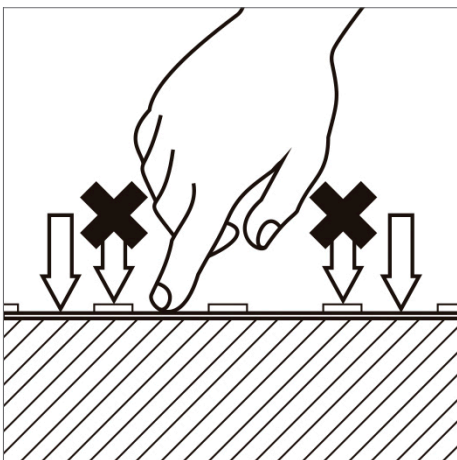
4. The bending diameter of the flexible strips must not be more than  $\varnothing 60\text{mm}$ .



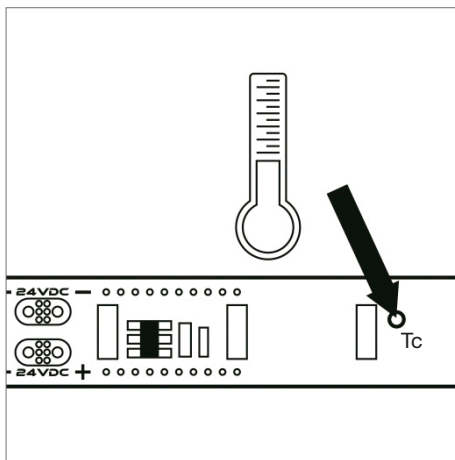
5. Flexible strips must not be twisted or bent at sharp angles.



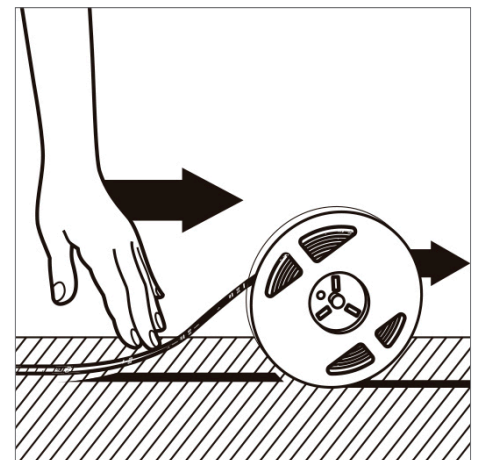
6. Fix by removing the back tape protector.



7. When applying the strip, press between the leds and not on the surface of the led.



8. The use of an aluminium profile is recommended for heat dissipation. The temperature should not exceed the recommended values in the data sheet\*1.



9. Only handle the flexible strip when off unwind and place gradually.