

RGB / 4 ZONES

SEQUENCER

Ref.: 41.079

108W (12V) - 216W (24V)

RGB sequencer (3A x channel).
Battery not included.

The remote control has 4 channels to cover 4 different installations and up to 2 receivers can be connected for each channel (Ref: 41.054).

The remote control and the receiver are sold separately.

FUNCTIONS:

7 colours (fixed):

Red
Green
Blue
Yellow
Purple
Turquoise
White

9 colour charges, gradual colour charges and flickering:

red - green
red - blue
green - blue
yellow - turquoise
yellow - purple
azul turquesa - purple
red - green - blue
yellow - green - azul turquesa
red - green - blue - yellow - purple - azul turquesa - white

Saves in memory the lasted selection.

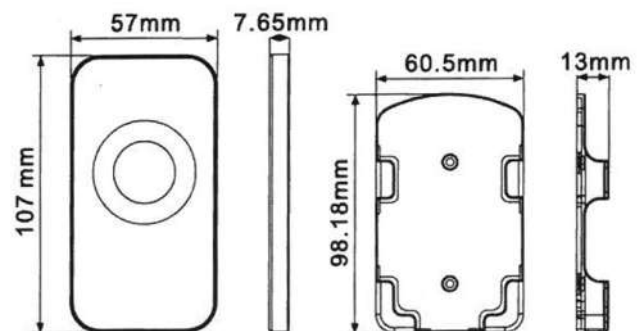
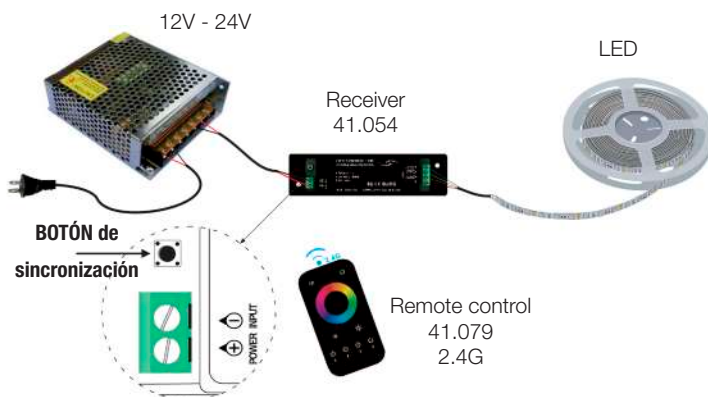


Movement detection	max. 100 metres
Programs	52
Measurements R.C.	57x107x7.65mm
Wall support	yes
Save memory	yes
Regulation intensity	yes
Receptor included	no
Working temperature	-30°C - 55°C
Waterproof	IP20
Packaging	1 unit
Guarantee	2 years

Approved by:



To synchronize the remote with the receiver, push button on the receiver and choose 1, 2, 3 or 4 on the remote.



BARCELONA
C/ Carles Buhigues, 13
08420 Canovelles
Info@luznegra.net
Tel: +34 938 402 598

MADRID
C/ Adaptación, 27
28906 Getafe
centro@luznegra.net
Tel: +34 916 416 081

PARIS
113 Avenue Joffre
77450 Esbly
france@luznegra.net
Tel: +33 (0) 160 426 585