

## RGB+W SEQUENCER

## SEQUENCERS FOR LEDS

Ref: 41.049

5V - 12V - 24V

RGB+W sequencer (6A x channel) with a maximum output of 10A. No memory. Includes remote with signal receiver. Battery not included.

The maximum load which we can use is 2.5A if we use the 4 channels (RGBW) and 3.33A if we use the 3 channels (RGB), as the maximum output is 10A. If the installation's consumption is superior then we must use amplifiers.

It allows you to connect an RGB led strip and a single solid color strip or to install the MARBELLA "RGB + W" ecoled strip.



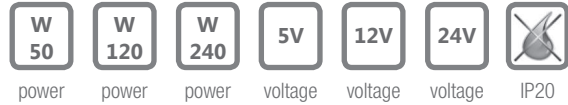
### FUNCTIONS

Regulation of intensity of the led strip.

It allows setting the intensity once we have chosen it.

Saves the memory of the last action being used.

- Contains different types of presets in memory, seven fixed colors (RGB white, turquoise, blue, green, yellow, red, lilac) + White; Make sequential and progressive changes with flickering (flash) as well as other preset color changes.
- It allows intensity regulation and speed change color control.
- Recommended: combine in the installation if we exceed 5 meters of RGB LED strip with the 41.022 amplifier.



Power (W)	50W (5V)
Power (W)	120W (12V)
Power (W)	240W (24V)
Channels (output)	4
Amperes	2.5A x 4 channels
Movement detection	max. 30 metres
Programs	9
Save memory	no
Regulation intensity	yes
Receptor included	yes
Working temperature	-20°C / +60°C
Waterproof	IP20
Packaging	1 unit
Guarantee	2 years

Aprobado por: 

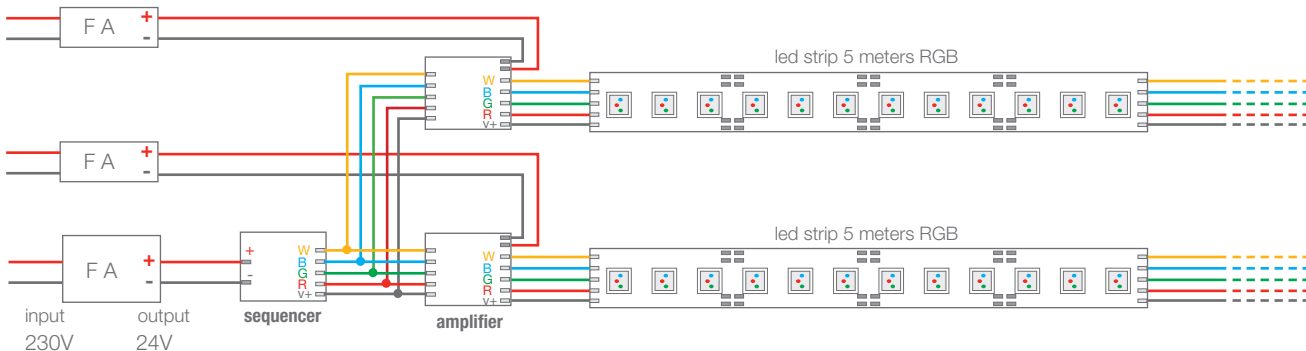
## RGBW installation diagram with amplifiers

For large installations we must install amplifiers ref: 41.022, in this way we will avoid loss of light.

The power supplies must always be higher than the consumption we have, leaving a margin of safety (15-20% recommended).

It is recommended to use thermal tape ref: 42.002 or an aluminum base to favor the heat dissipation of the flexible led strip.

Watertight strips must be placed on the end cables to prevent moisture from penetrating and possible installation failures.



**BARCELONA**  
C/ Carles Buhigues, 13  
08420 Canovelles  
Info@luznegra.net  
Tel: +34 938 402 598

**MADRID**  
C/ Adaptación, 27  
28906 Getafe  
centro@luznegra.net  
Tel: +34 916 416 081

**PARIS**  
113 Avenue Joffre  
77450 Esbly  
france@luznegra.net  
Tel: +33 (0) 160 426 585