

## RGB SEQUENCER

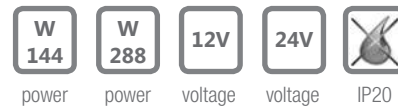
## SEQUENCERS FOR LEDS

Ref: 41.024

12V -24V

RGB sequencer (4A x channel).  
No memory.  
Includes remote with signal receiver.  
Battery not included.

This product allows us to fix 7 colours (white, blue, turquoise, red, green, yellow and lilac) with progressive changes, with flashing, on and off sequences for the 7 colours and also for the 3 channels (RGB). We can also control the speed of the colour changes (4 steps). Once we switch off, the last colour changing sequence is not recorded when we switch on again.



Power (W)	144W (12V)
Power (W)	288W (24V)
Channels (output)	3
Amps	4A x channel
Signal detection distance	15m
Programs	10
Measurements (remote control)	130x64x24mm
Channels	1
Save memory	no
Regulation intensity	yes
Receiver included	yes
Working temperature	-20°C / +45°C
Waterproofing	IP20
Packaging	1 unit
Guarantee	2 years

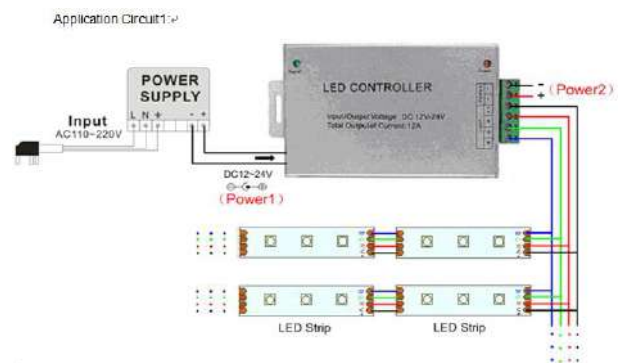
Aprobado por: 



Controller size



remote control size



**BARCELONA**  
C/ Carles Buhigues, 13  
08420 Canovelles  
Info@luznegra.net  
Tel: +34 938 402 598

**MADRID**  
C/ Adaptación, 27  
28906 Getafe  
centro@luznegra.net  
Tel: +34 916 416 081

**PARIS**  
113 Avenue Joffre  
77450 Esbly  
france@luznegra.net  
Tel: +33 (0) 160 426 585