

MOTION SENSOR

SENSORS AND SWITCHES

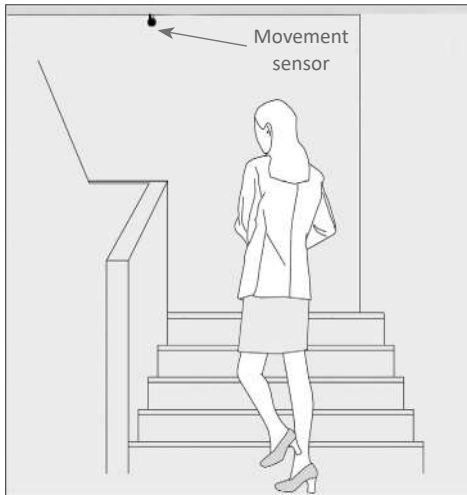
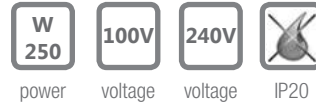
Ref: 41.013

100V - 240V

A motion sensor for 120° angles and ideal for placing in commuted areas such as stairways, corridors, etc. It can be used for both surface and recessed applications. It works at 220V and includes driver.

This product is only recommended for indoor use and only 1 sensor can be used in the same installation. The "cell" detecting cable must not be cut as this could cause failure.

WARNING: the installation of the sensor with the led strip must be carried out without connecting to the power supply (the line must be disconnected from 240V) as this could shut off and cause malfunctioning.

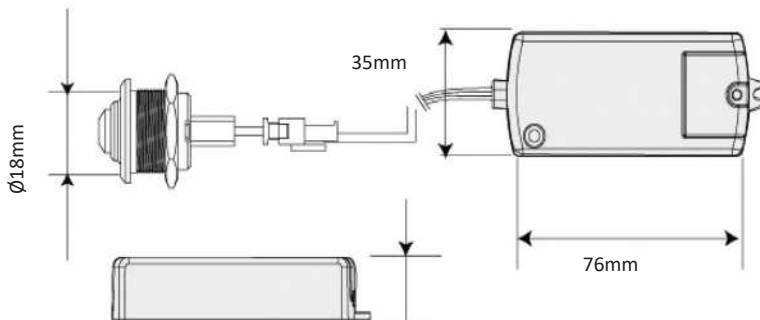


Without movement sensor: LIGHT OFF
Detecting movement: LIGHT ON

Power (W)	250W
Input	100V - 240V
Output	100V - 240V
Detection angle	120°
Size of receiver	76x35x19.5mm
Ø receiver	18mm
Working temperature	-20°C / +45°C
Ø hole	15mm
Waterproofing	IP20
Packaging	1 unit
Guarantee	2 years

Aprobado por: CE RoHS COMPLIANT

Measurements:



BARCELONA
C/ Carles Buigues, 13
08420 Canovelles
Info@luznegra.net
Tel: +34 938 402 598

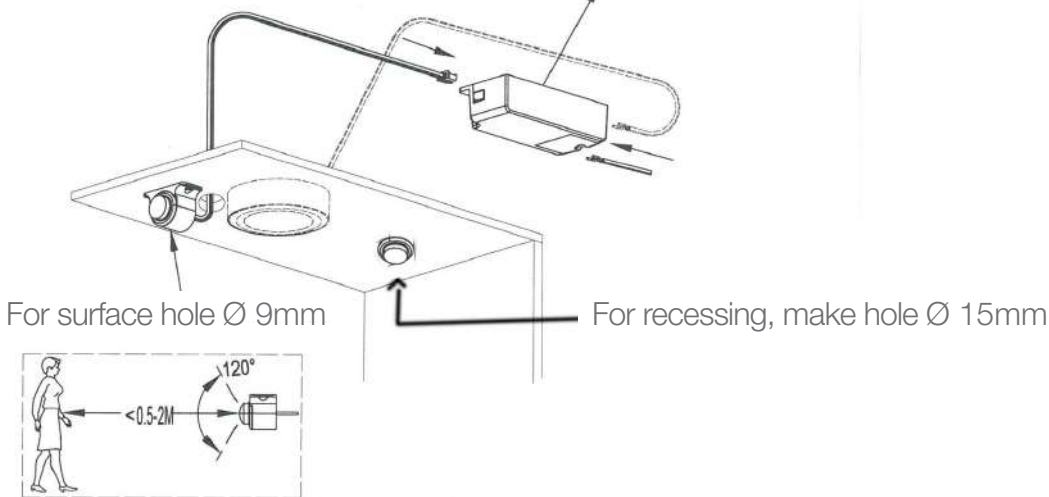
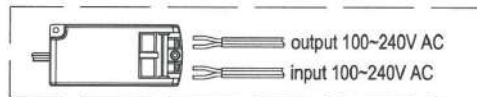
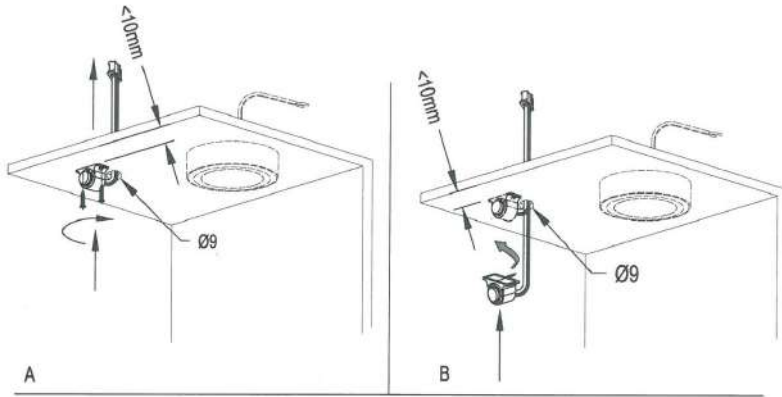
MADRID
C/ Adaptación, 27
28906 Getafe
centro@luznegra.net
Tel: +34 916 416 081

PARIS
113 Avenue Joffre
77450 Esbly
france@luznegra.net
Tel: +33 (0) 160 426 585

MOTION SENSOR

SENSORS AND SWITCHES

Sensor assembly:



Connection diagram:

