

# DALI “5 in 1” receiver

Ref: 41.101

## Features:

- 5-in-1 DALI Controller (single colour, RGB, RGB+CCT, CCT, RGBW).
- Support DT8 type. Tc, xy coordinates, RGBWAF.
- Supports digital tube to display address and group information. Can be quickly configured by pressing the button.
- Brightness dimming and ON/OFF via push button.
- Logarithmic or linear dimming curve optional.
- With anti-reverse protection function.
- With short-circuit, over-current protection and recovery functions.
- To be used with DALI power supply.
- Compatible with controller: 41.102

## Technical characteristics

### Technical data

Power	240W (12V) / 480W (24V)
Voltage	12 / 24V
Degree of protection	IP20
Channels	5
Maximum load	20A
Interface	DALI
Control	DALI

### Temperatures and operating conditions

Working temperature	-10°C / 40°C
---------------------	--------------



## Assembly and safety information

### Applied standards: (DALI):

- IEC62386-102
- IEC62386-207
- IEC62386-209

### Attention

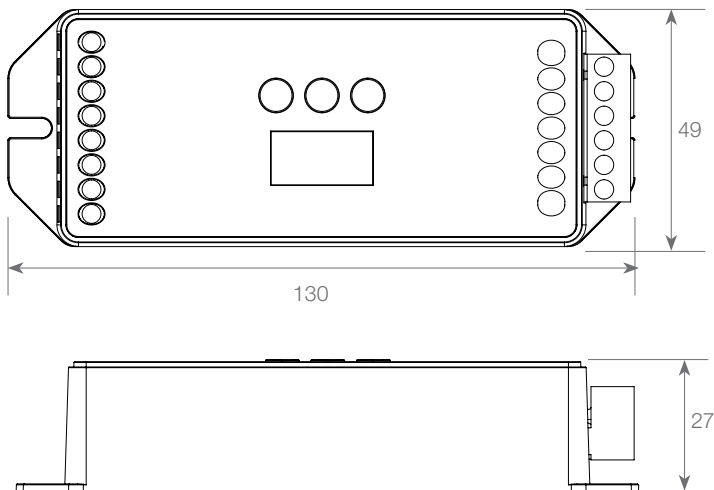
1. This product should be debugged and installed by professionals.
2. Please check whether the output voltage of the power supply meets the requirements of the product voltage range.
3. The product is not waterproof, please install it in a waterproof box when installed outdoors.
4. Before switching on the power, please ensure that all wiring is correct, so as not to cause damage to the devices.
5. In the case of failure, please do not attempt to manipulate without the help of a specialised technician.



### Services

Colour regulation	Yes
Feed type	Via cable
Apt for	Indoor
Fixing	Tape / screws (not included)
Signal detection distance	30m
Maximum signal reception distance	30m clear, signal is repeated between them
Connection type	Common anode (content regulation)

# DALI "5 in 1" receiver

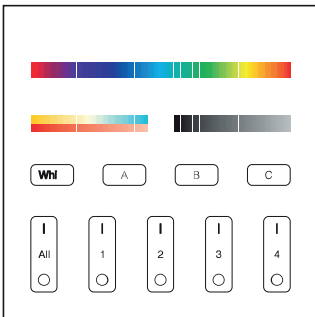


## Dimensions and weight

Length	130mm	Height	27mm
Width	49mm	Weight	100g

## Remote controller:

Compatible with these remote controls (purchase separately). For more details, please read the remote instructions.



41.102

# DALI “5 in 1” receiver

## Function Settings

### 1. Digital display status description

- **Self-locking:** if there is no key operation for 30s continuously, it will enter the locked status, and the digital tube will display in low light.
- **Unlocking:** long press the **M** button for 2 seconds until the digital tube is highlighted; unlocking is successful.
- DALI short address often displayed: DALI signal available
- DALI short address blinking: DALI signal unavailable.
- Display **ERR**: an error has occurred (for example: overcurrent protection).

### 2. Set short address:

- under unlocked state, short press the **M** key until the digital tube displays (000-063) or (255), short press the **▲** key or the **▼** key to change DALI short address, long press can quickly adjust.
- **For example:**
  - When **063**, is displayed it means that the DALI controller short address is 63.
  - When **255**, is displayed it means that the DALI controller has not allocated a short address and it is in the broadcast state.

### 3. Set group address:

- Under unlocked status, short press **M** button until digital tube display (c00-c15).
- Short press the **▲** key to change the DALI controller group address, long press to quickly adjust. Short press the **▼** key to select or cancel the current group.
- **For example:**
  - When **c07**, is displayed, it means the 7th group of DALI controller has been selected.
  - When **c00**, is displayed, it means that the 7th group of the DALI controller has been cancelled.

### 4. System parameter setting instructions

- Under unlocked state, long press the **M** button for 3 seconds to enter the system parameter setting.
- Short press the **M** button to switch the 3 different parameters setting.
- Long press the **M** button for 1s or no operation within 8s to exit the setting.

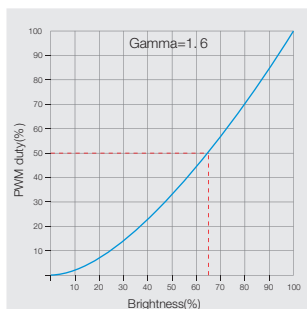
#### Parameter 1: output mode setting (display dL1/ dL2/ dL3/ dL4/ dL5).

- The 5 output modes can be changed by short pressing the **▲** key or the **▼** key:
  - **dL1** means single colour output mode.
  - **dL2** means colour temperature output mode (colour Type Tc).
  - **dL3** means RGB output mode (colour Type Tc, xy coordinates, RGBWAF).
  - **dL4** means RGBW output mode (colour Type Tc, xy coordinates, RGBWAF).
  - **dL5** means RGBCCT output mode (colour Type Tc, xy coordinates, RGBWAF).

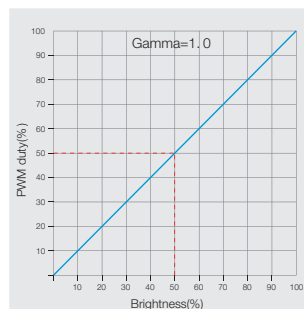
#### Parameter 2: dimming curve setting (show C-E or C-L), short press **▲** button or **▼** button to switch:

- The 5 output modes can be changed by short pressing the **▲** key or the **▼** key:
  - **C-E** dimming curve is logarithm dimming. (factory default parameter)
  - **C-L** dimming curve is linear dimming.

Logarithmic dimming curve



Linear dimming curve



#### Parameter 3: dimming smoothness setting (show H-0 or H-1), short press **▲** button or **▼** button to switch:

- **H-0** smooth dimming (factory default setting).
- **H-1** standard dimming.

# DALI "5 in 1" receiver

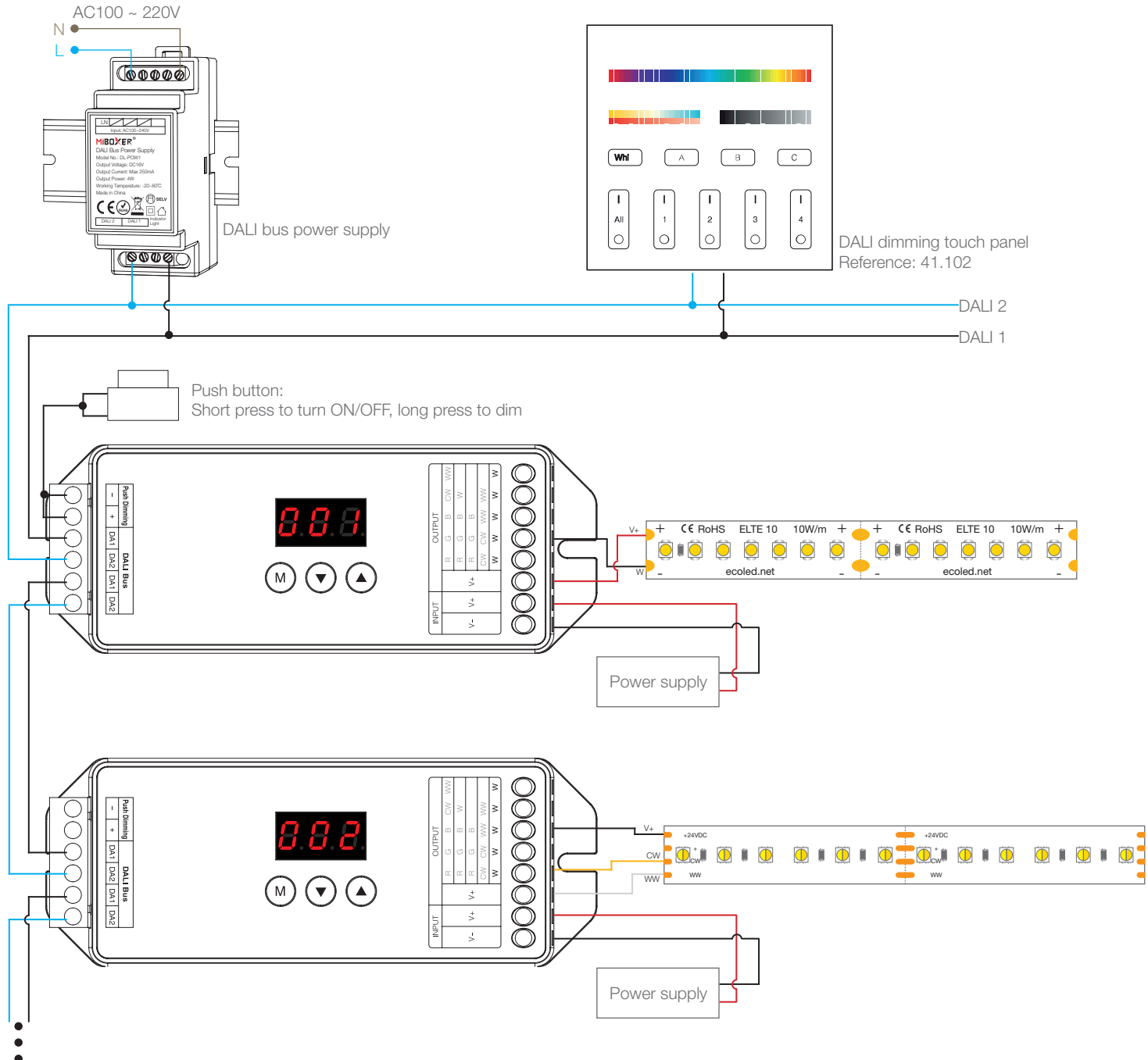
## 5. Restore factory default:

- Under unlock status, long press M button 10 seconds until digital display show **RE5**.

## Push dimming instructions

Short press the Push switch to turn on or turn off the light. When the light is on, press and hold Push to change the brightness.

Connection diagram (single colour output mode):



# DALI "5 in 1" receiver

Connection diagram (RGB / RGBW / RGB+CCT output mode):

