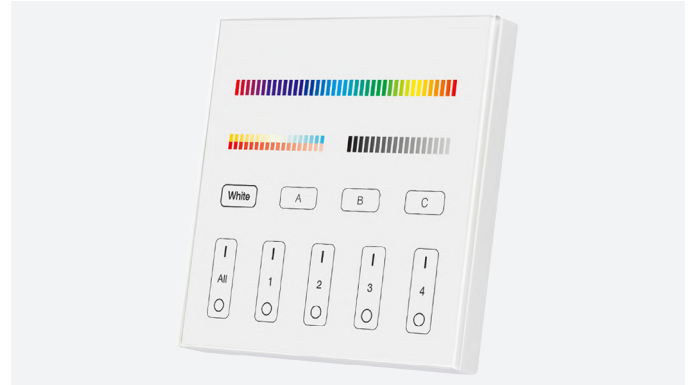


Control panel monocolour-CCT-RGB-RGBW- RGB+CCT

Ref: 41.102

Features:

- Supports DALI DT8.
- Supports 4 control modes: scene, grouping, unicast and broadcast.
- Supports ON/OFF, colour temperature, saturation, and brightness control.
- Digital screen displays address, group and scene. Function setting is simple and fast.
- Powered by DALI bus.
- Touch control (sensitive touch).
- Compatible with receivers: 41.101



Technical characteristics

Technical data

Electrical supply	Yes
Voltage	DALI bus
Interface	DALI
Degree of protection	IP20
Zones	4
Speed mode +/-	Yes
Control type	DALI DT8
"On"	Yes
"Off"	Yes
Front panel	Tempered glass
Memory	Yes

Services

Regulation	Monocolour - CCT - RGB - RGBW - RGBW+CCT
Power supply	DALI bus
Apt for	Interior
Fixing	Recessed
Signal detection distance	30m
Maximum distance of signal reception	30m
Connection type	Common anode

Temperatures and operating conditions

Working temperature	-10°C / 40°C
---------------------	--------------



Assembly and safety information

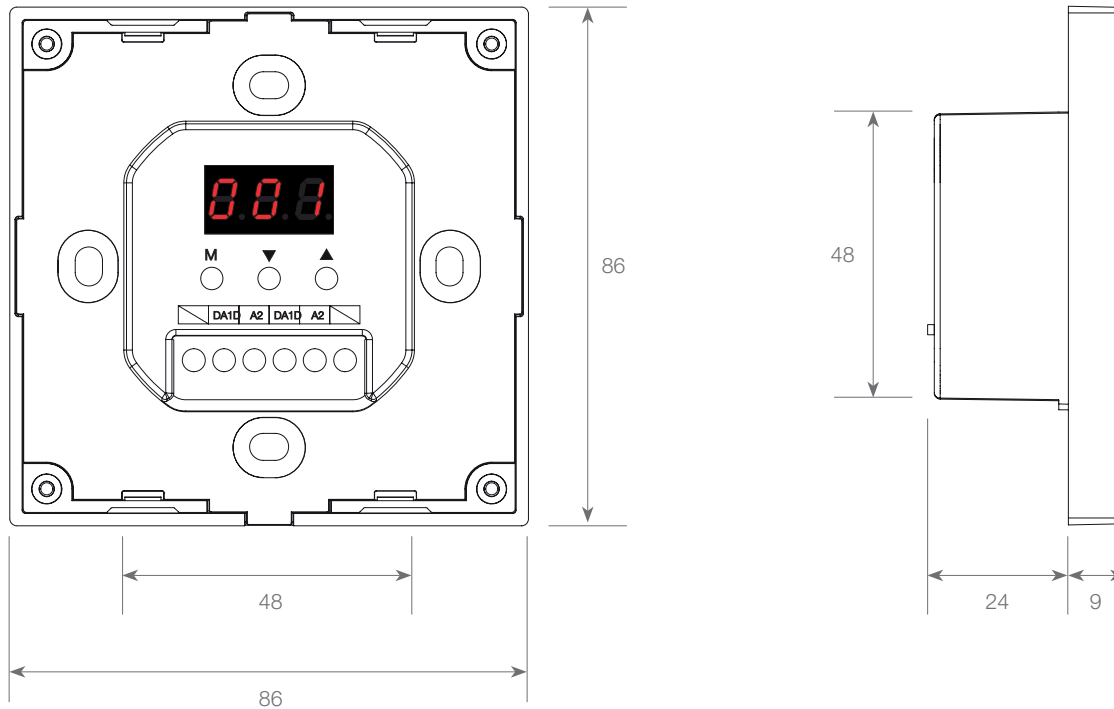
Applied standards (DALI):

- IEC62386-102
- IEC62386-207
- IEC62386-209

Attention

1. The product should be installed by professionals.
2. Before switching on the power, please ensure that all wiring is correct, so as not to cause damage to the devices.
3. In the case of failure, please do not attempt to manipulate without the help of a specialised technician.

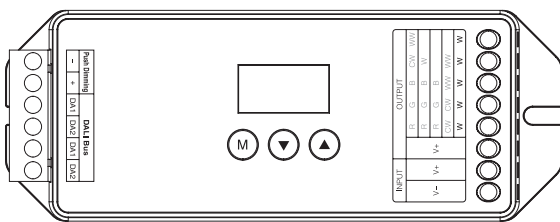
Control panel monocolour-CCT-RGB-RGBW- RGB+CCT



Dimensions and weight

Length	86mm	Height	33mm
Width	86mm	Weight	145g

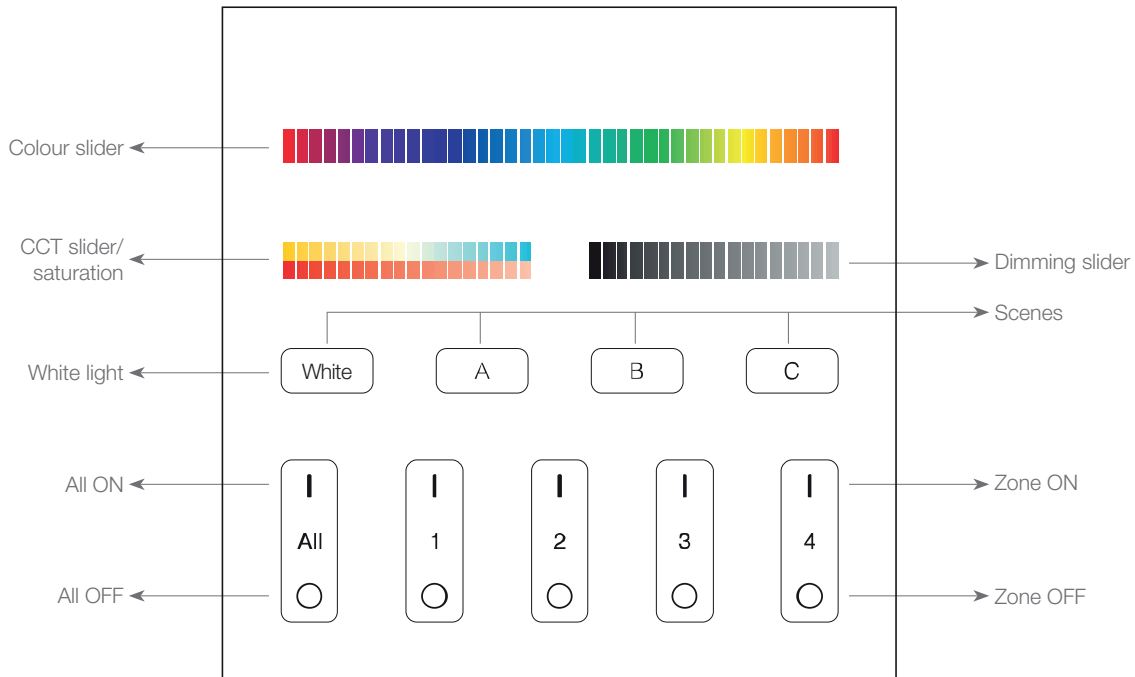
Compatible with receivers:



41.101

Control panel monocolour-CCT-RGB-RGBW- RGB+CCT

DALI touch panel (DT8) - colour temperature



Button function instruction



Change colours.



Adjust colour temperature.



On white light mode, adjust colour temperature.
On colour light mode, change colours.



Adjust brightness(1% ~ 100%).



Short press to get white light mode.



Short press A or B or C or D to select scene.



Long press A or B or C or D button to save the current light status to corresponding scene (see more on instruction 5).



- Master ON (“ALL ON”): short press to turn on all the lights under groups 1-4 on this panel. Long press for 5 seconds to turn on the button sound.
- Zone ON (ZONE 1-4 ON): short press to turn on all the lights in the selected independent zones.



- Master OFF (“ALL OFF”): short press to turn off all the lights under groups 1-4 on the panel. Long press for 5 seconds to turn off the button sound.
- Zone OFF (ZONE 1-4 OFF): short press to turn off all lights in the selected independent zones.



- Indicator light: The group indicator light is always on, indicating that the group has been selected.
- The indicators of the 4 groups are all on, indicating that all 4 groups are selected.

Control panel monocolour-CCT-RGB-RGBW- RGB+CCT

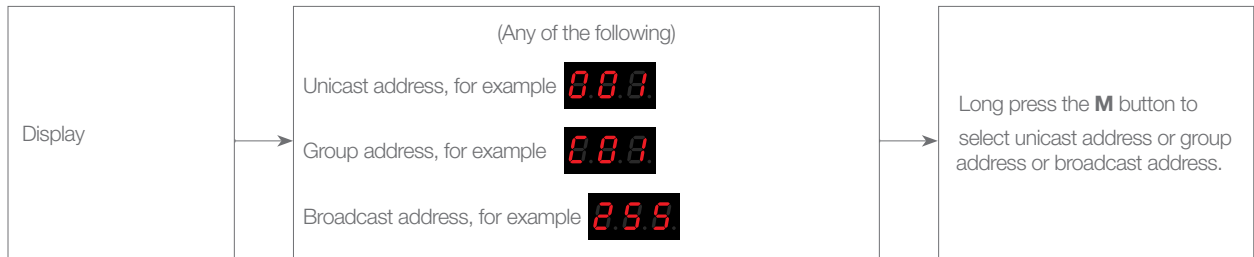
Function configuration with receiver 41.101

1. Digital screen display state instruction

- Self-locking: if there is no operation for 5s, it will enter the locked state, and the digital tube will not display.
- Unlocking: long press the **M** button for 2s until the digital tube is highlighted, and the unlock is successful.



2. DALI unicast address, group address and broadcast address settings

- Under unlocked status, short press **M** button





Unicast address:

- When display (000-063): DALI panel is in unicast address mode. Short press ▲ or ▼ to set the start unicast address of DALI panel, long press can quickly adjust.

Panel set unicast address	Unicast addresses corresponding to the 4 groups			
	Zone 1	Zone 2	Zone 3	Zone 4
	001	002	003	004
	062	063	000	001

Group address:



- When display (C00-C15): DALI panel is in group address mode. Short press the▲ or ▼ to set the starting groupaddress of the DALI panel, long press can quickly adjust.

Panel set unicast	Group addresses corresponding to the 4 groups			
	Zone 1	Zone 2	Zone 3	Zone 4
	01	02	03	04
	14	15	00	01

Scene setting

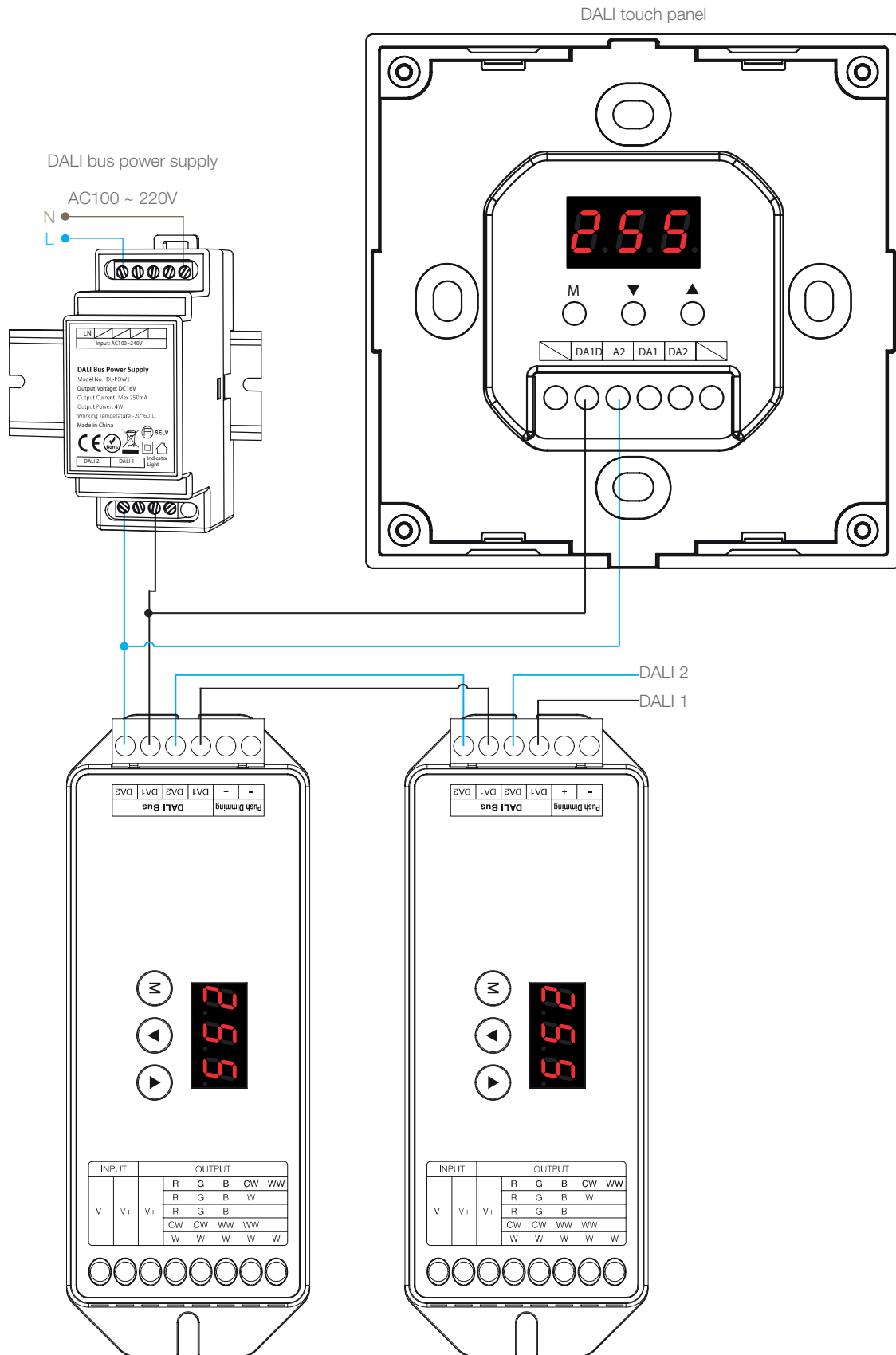
- Under the unlocked state, short press the **M** button until the digital tube displays (E00-E15). Short press ▲ or ▼ to set the initial scene value of the DALI panel, long press for quick adjustment.

For example:

Setting to	Relative scene for (A B C D) button
	(A) : Scenes 01 (B) : Scenes 02 (C) : Scenes 03 (D) : Scenes 04
	(A) : Scenes 14 (B) : Scenes 15 (C) : Scenes 00 (D) : Scenes 01

Control panel monocolour-CCT-RGB-RGBW- RGB+CCT

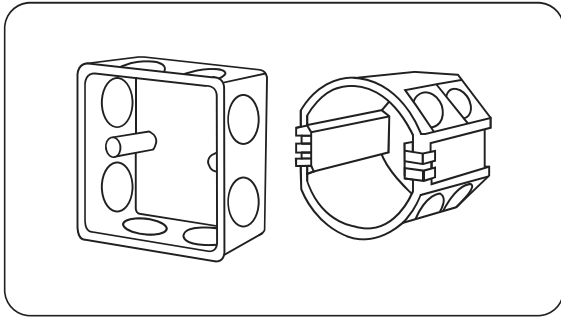
Connection diagram



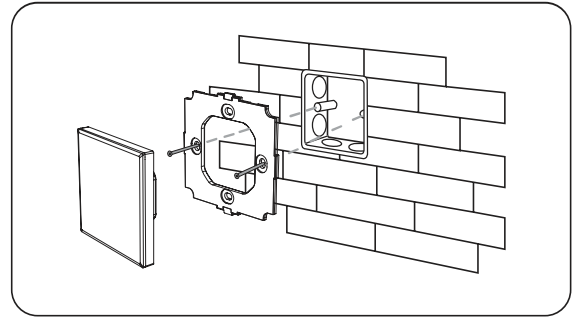
DALI 5-in-1 receivers
Reference: 41.101

Control panel monocolour-CCT-RGB-RGBW- RGB+CCT

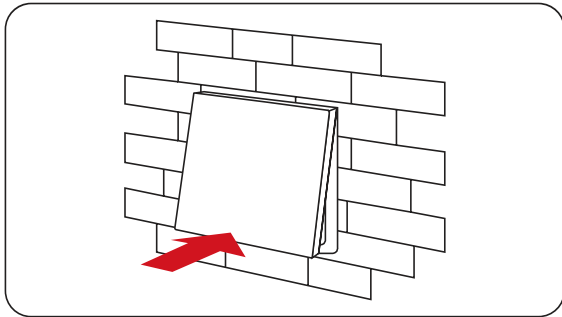
Mounting / unmounting



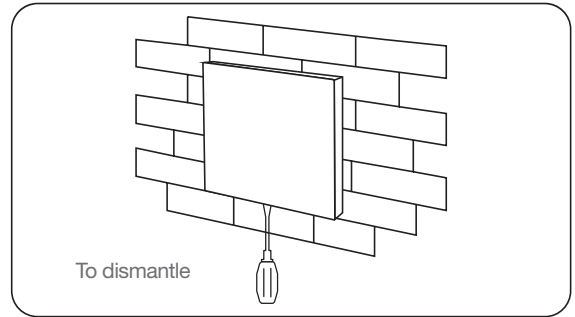
1. Install the box the wall. Above are the standard boxes.



2. Fix the base on to box.



3. Fix the glass panel to the base.



4. Insert the screwdriver carefully under the glass panel and gently push outwards.