

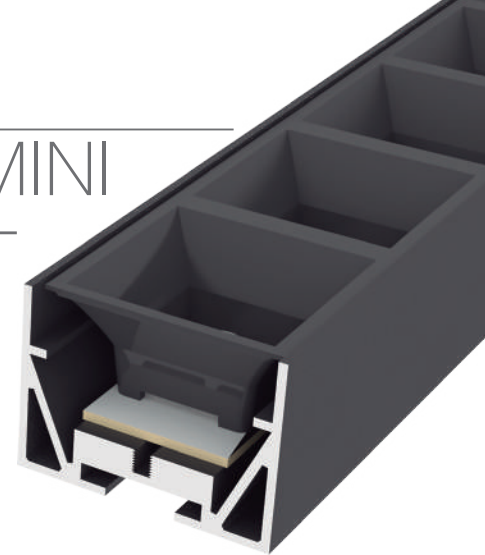
Our PROFESSIONAL led profile series for hanging applications is manufactured in high purity aluminum, lacquered and textured in white or black. The power supply is external. This profile uses reflectors with 4 or 7 modules and 2 different types of optics of 65° or 90°, improving visual comfort and guaranteeing a low UGR. It is suitable for rigid strips with a maximum width of 25mm, designed for the 4 and 7 module optical system.

In addition, it has blind covers in white or black aluminum which can be placed in the final sections of the luminaire and in the middle sections where lighting is not required.

The profile is available in lengths of 3.4 metres. We offer a 5 year warranty on profiles.

We offer a 5 year guarantee on profiles.

MUNICH MINI COMFORT

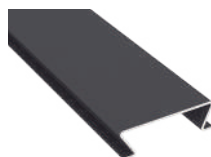


Scale 1:1
(Dimensions in mm)



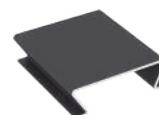
Aluminium profile

| | | |
|--------|-----------------|-------|
| 16.047 | lacquered white | 3.40m |
| 16.048 | lacquered black | 3.40m |



Metal endcap

| | | |
|--------|-----------------|-------|
| 19.498 | lacquered white | 980mm |
| 19.499 | lacquered black | 980mm |



Metal endcap

| | |
|--------|-----------------|
| 19.487 | lacquered white |
| 19.488 | lacquered black |



Reflector with 7 modules

| | | |
|--------|-------|-------|
| 46.066 | white | 280mm |
| 46.067 | black | 280mm |



Reflector with 4 modules

| | | |
|--------|-------|-------|
| 46.080 | white | 160mm |
| 46.081 | black | 160mm |



Metal endcap

| | |
|--------|-----------------|
| 19.485 | lacquered white |
| 19.486 | lacquered black |



Optics de with 7 modules

| | | |
|--------|-----|-------|
| 46.068 | 65° | 280mm |
| 46.069 | 90° | 280mm |



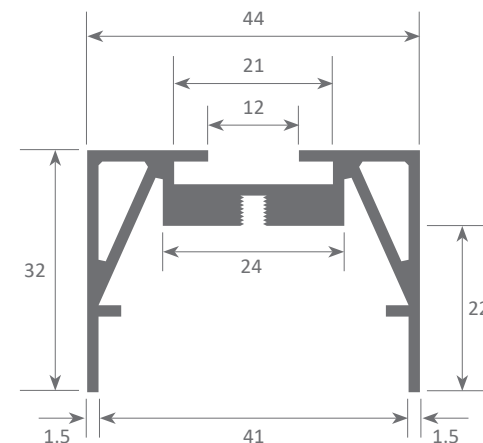
Optics de with 4 modules

| | | |
|--------|-----|-------|
| 46.082 | 65° | 160mm |
| 46.083 | 90° | 160mm |



Hanging KIT

| | | |
|--------|--------|----------------|
| 21.001 | chrome | set of 2 units |
| 21.002 | white | set of 2 units |
| 21.003 | black | set of 2 units |



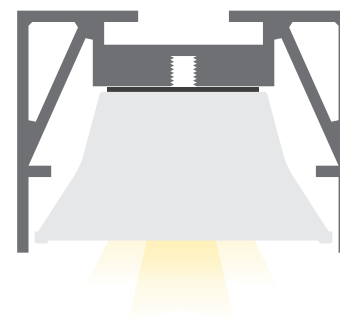
Rigid strip with 7 modules

| | | |
|--------|-------|-------------------|
| 36.055 | 3000K | 280mm (white PCB) |
| 36.057 | 3000K | 280mm (black PCB) |
| 36.056 | 4000K | 280mm (white PCB) |
| 36.058 | 4000K | 280mm (black PCB) |



Rigid strip with 4 modules

| | | |
|--------|-------|-------------------|
| 36.070 | 3000K | 139mm (white PCB) |
| 36.072 | 3000K | 139mm (black PCB) |
| 36.071 | 4000K | 139mm (white PCB) |
| 36.073 | 4000K | 139mm (black PCB) |



Aluminium alloy extrusion process in accordance with: ISO 9001:2008 - ISO 14001 / Tolerances defined by: UNE-EN 755-9 / UNE-EN 12020-2
Theoretical weight: 0.760kg / Alloy: 6063 / Perimeter: 335mm / Anodising minimum: 15 microns / Aluminium purity: 95-98% / Material treatment: T-5