

Led dimmer DMX

Ref: 41.104

Features:

- Bus + sequencer + fader + dimmer + driver
- DC Input 12V / 24V
- Bus command: DMX512+RDM
- Local command: stand alone function (dip switch settings)
- Control: RGB or RGBW colour
- Current outputs or voltage outputs for led strip
- Typical efficiency > 95%
- Adjusting the brightness up to completed off
- Soft start and soft stop
- Optimized output curve
- Extended temperature range
- 100% Test functional



Technical characteristics

Technical data

Voltage	12V / 24V
Interface	DMX
Degree of protection	IP20
Channels	4
Input current	max 10 A
Output current	10A
Nominal power	120W (12V) / 240W (24V)
Power loss in standby mode	<500mW
D-PWM dimming frequency	250Hz

D-PWM resolution	16 bit
D-PWM range	0,1 – 100 %
Apt for	Interior
Casing material	Plastic

Temperatures and operating conditions

Storage Temperature	-40°C / 60°C
Ambient Temperature	-10°C / 40°C



Assembly and safety information

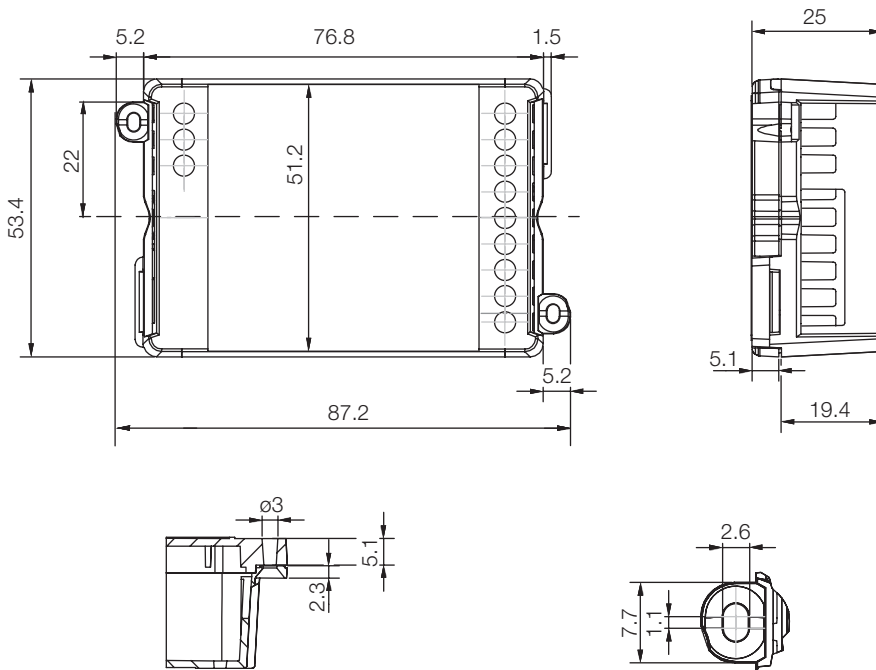
Applied standards:

- EN 61347-1
- EN 55015
- EN 61547
- EN 50581
- IEC/EN 62386-101
- IEC/EN 62386-102
- IEC/EN 62386-207
- ANSI E1.11
- ANSI E1.20

Protections

- OVP - Over voltage protection
- UVP - Under voltage protection
- RVP - Reverse polarity protection
- IFP - Input fuse protection

Led dimmer DMX



Dimensions and weight

Length	87.2mm	Height	25mm
Width	53.4mm	Weight	900g
Wiring	2.5mm ² solid – 1.5mm ² stranded – 30/12 AWG	Wire preparation length	5.5 – 6.5mm

Technical notes

Installation:

- Installation and maintenance must be performed only by qualified personnel in compliance with current regulations.
- The product must be installed inside an electrical panel protected against overvoltages.
- The product must be installed in a vertical or horizontal position with the cover / label upwards or vertically; Other positions are not permitted. It is not permitted to bottom-up position (with the cover / label down).
- Keep separated the circuits at 230V (LV) and the circuits not SELV from circuits to low voltage (SELV) and from any connection with this product. It is absolutely forbidden to connect, for any reason whatsoever, directly or indirectly, the 230V mains voltage to the bus or to other parts of the circuit.

Power supply:

- For the power supply use only a SELV power supplies with limited current, short circuit protection and the power must be dimensioned correctly. In case of using power supply with ground terminals, all points of the protective earth (PE = Protection Earth) must be connected to a valid and certified protection earth.
- The connection cables between the power source “low voltage” and the product must be dimensioned correctly and they should be isolated from every wiring or parts at voltage not SELV. Use double insulated cables.
- Dimension the power supply for the load connected to the device. If the power supply is oversized compared with the maximum absorbed current, insert a protection against over-current between the power supply and the device.
- For the constant current output, the voltage of LED module (V_f) must be less of 5V at the voltage of power supply.

Command:

- The length of the connection cables at the BUS (DMX512, Modbus, DALI or other) use cables as per specification of the respective protocols and regulations and they should be isolated from every wiring or parts at voltage not SELV. Use double insulated shielded and twisted cables.
- All the product and the control signal connect at the BUS (DMX512, Modbus, DALI or other) must be SELV (the devices connected must be SELV or supply a SELV signal).

Outputs:

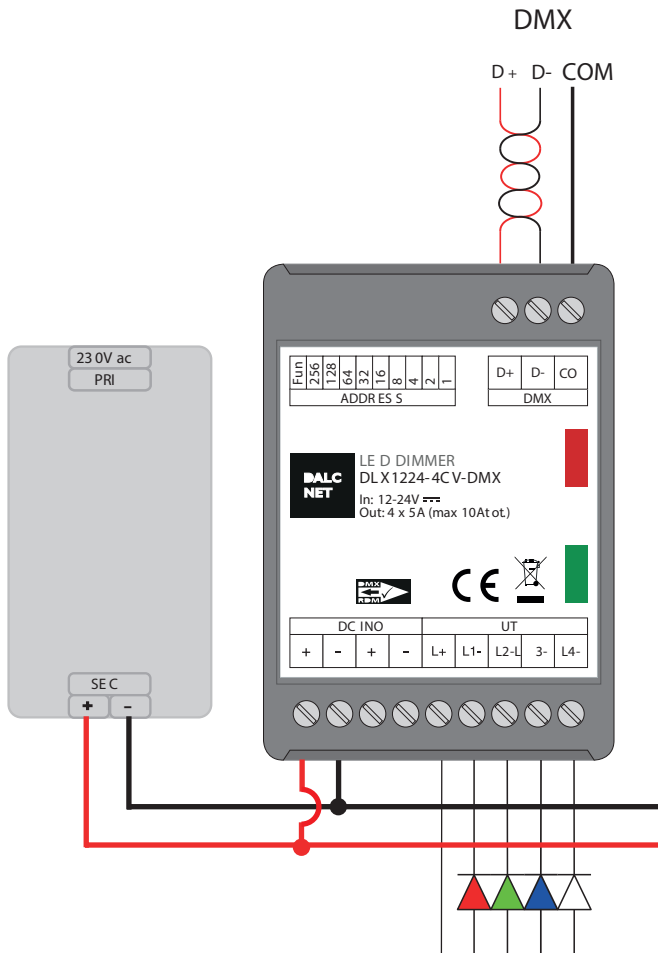
- The length of the connection cables between the product and the led module must be less than 10m; the cables must be dimensioned correctly and they should be isolated from every wiring or parts at voltage not SELV. Is preferable to use shielded and twisted cables.

Led dimmer DMX

Installation

To set the product, follow the instruction on the picture below:

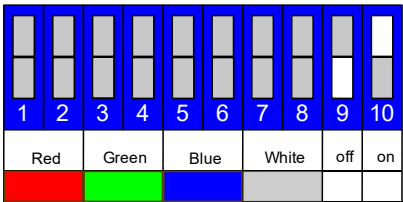
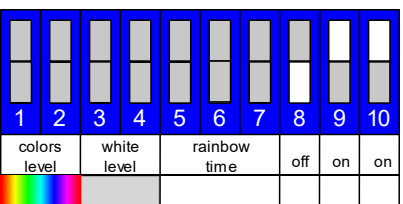
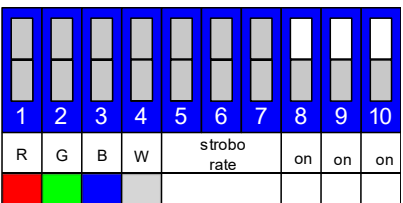
1. Connect the led in the output terminal blocks "OUT" of the device.
2. Connect the BUS (DMX) to the terminal blocks.
3. Connect the power supply (12-24 Vdc) to terminal blocks "DC IN" of the device.



Led dimmer DMX

Stand alone setup

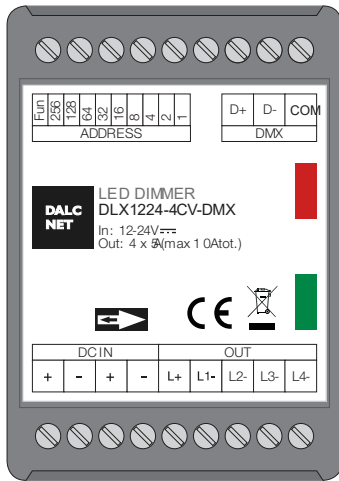
Leds are managed by the DIP-SWITCH of the device.

Function	DIP-SWITCH																																																																			
64 static colours	 <p>1 2 3 4 5 6 7 8 9 10</p> <p>Red Green Blue White off on</p>	<p>DIP 9 = OFF DIP 10 = ON</p> <p><i>To set the intensity levels:</i></p> <table border="1"> <thead> <tr> <th>LIVELLO</th> <th colspan="2">1st CHANNEL</th> <th colspan="2">2nd CHANNEL</th> <th colspan="2">3rd CHANNEL</th> <th colspan="2">4th CHANNEL</th> </tr> <tr> <th></th> <th>DIP1</th> <th>DIP2</th> <th>DIP3</th> <th>DIP4</th> <th>DIP5</th> <th>DIP6</th> <th>DIP7</th> <th>DIP8</th> </tr> </thead> <tbody> <tr> <td>100%</td> <td>ON</td> <td>ON</td> <td>ON</td> <td>ON</td> <td>ON</td> <td>ON</td> <td>ON</td> <td>ON</td> </tr> <tr> <td>66%</td> <td>OFF</td> <td>ON</td> <td>OFF</td> <td>ON</td> <td>OFF</td> <td>ON</td> <td>OFF</td> <td>ON</td> </tr> <tr> <td>33%</td> <td>ON</td> <td>OFF</td> <td>ON</td> <td>OFF</td> <td>ON</td> <td>OFF</td> <td>ON</td> <td>OFF</td> </tr> <tr> <td>0%</td> <td>OFF</td> <td>OFF</td> <td>OFF</td> <td>OFF</td> <td>OFF</td> <td>OFF</td> <td>OFF</td> <td>OFF</td> </tr> </tbody> </table>	LIVELLO	1 st CHANNEL		2 nd CHANNEL		3 rd CHANNEL		4 th CHANNEL			DIP1	DIP2	DIP3	DIP4	DIP5	DIP6	DIP7	DIP8	100%	ON	ON	ON	ON	ON	ON	ON	ON	66%	OFF	ON	OFF	ON	OFF	ON	OFF	ON	33%	ON	OFF	ON	OFF	ON	OFF	ON	OFF	0%	OFF	OFF	OFF	OFF	OFF	OFF	OFF	OFF												
LIVELLO	1 st CHANNEL		2 nd CHANNEL		3 rd CHANNEL		4 th CHANNEL																																																													
	DIP1	DIP2	DIP3	DIP4	DIP5	DIP6	DIP7	DIP8																																																												
100%	ON	ON	ON	ON	ON	ON	ON	ON																																																												
66%	OFF	ON	OFF	ON	OFF	ON	OFF	ON																																																												
33%	ON	OFF	ON	OFF	ON	OFF	ON	OFF																																																												
0%	OFF	OFF	OFF	OFF	OFF	OFF	OFF	OFF																																																												
Rainbow	 <p>1 2 3 4 5 6 7 8 9 10</p> <p>colors level white level rainbow time off on on</p>	<p>DIP 8 = OFF DIP 9 = ON DIP 10 = ON</p> <p><i>To set the intensity levels:</i></p> <table border="1"> <thead> <tr> <th>LEVELS</th> <th colspan="2">COLOURS</th> <th colspan="2">WHITE</th> </tr> <tr> <th></th> <th>DIP1</th> <th>DIP2</th> <th>DIP3</th> <th>DIP4</th> </tr> </thead> <tbody> <tr> <td>100%</td> <td>ON</td> <td>ON</td> <td>ON</td> <td>ON</td> </tr> <tr> <td>66%</td> <td>OFF</td> <td>ON</td> <td>OFF</td> <td>ON</td> </tr> <tr> <td>33%</td> <td>ON</td> <td>OFF</td> <td>ON</td> <td>OFF</td> </tr> <tr> <td>0%</td> <td>OFF</td> <td>OFF</td> <td>OFF</td> <td>OFF</td> </tr> </tbody> </table> <p><i>To set the time between two adjacent colour changes:</i></p> <table border="1"> <thead> <tr> <th>TIME</th> <th>DIP 5</th> <th>DIP 6</th> <th>DIP 7</th> </tr> </thead> <tbody> <tr> <td>30 min.</td> <td>ON</td> <td>ON</td> <td>ON</td> </tr> <tr> <td>15 min.</td> <td>OFF</td> <td>ON</td> <td>ON</td> </tr> <tr> <td>6 min.</td> <td>ON</td> <td>OFF</td> <td>ON</td> </tr> <tr> <td>1 min.</td> <td>OFF</td> <td>OFF</td> <td>ON</td> </tr> <tr> <td>30 sec.</td> <td>ON</td> <td>ON</td> <td>OFF</td> </tr> <tr> <td>15 sec.</td> <td>OFF</td> <td>ON</td> <td>OFF</td> </tr> <tr> <td>6 sec.</td> <td>ON</td> <td>OFF</td> <td>OFF</td> </tr> <tr> <td>3 sec.</td> <td>OFF</td> <td>OFF</td> <td>OFF</td> </tr> </tbody> </table>	LEVELS	COLOURS		WHITE			DIP1	DIP2	DIP3	DIP4	100%	ON	ON	ON	ON	66%	OFF	ON	OFF	ON	33%	ON	OFF	ON	OFF	0%	OFF	OFF	OFF	OFF	TIME	DIP 5	DIP 6	DIP 7	30 min.	ON	ON	ON	15 min.	OFF	ON	ON	6 min.	ON	OFF	ON	1 min.	OFF	OFF	ON	30 sec.	ON	ON	OFF	15 sec.	OFF	ON	OFF	6 sec.	ON	OFF	OFF	3 sec.	OFF	OFF	OFF
LEVELS	COLOURS		WHITE																																																																	
	DIP1	DIP2	DIP3	DIP4																																																																
100%	ON	ON	ON	ON																																																																
66%	OFF	ON	OFF	ON																																																																
33%	ON	OFF	ON	OFF																																																																
0%	OFF	OFF	OFF	OFF																																																																
TIME	DIP 5	DIP 6	DIP 7																																																																	
30 min.	ON	ON	ON																																																																	
15 min.	OFF	ON	ON																																																																	
6 min.	ON	OFF	ON																																																																	
1 min.	OFF	OFF	ON																																																																	
30 sec.	ON	ON	OFF																																																																	
15 sec.	OFF	ON	OFF																																																																	
6 sec.	ON	OFF	OFF																																																																	
3 sec.	OFF	OFF	OFF																																																																	
Strobo	 <p>1 2 3 4 5 6 7 8 9 10</p> <p>R G B W strobo rate on on on</p>	<p>DIP 8 = ON DIP 9 = ON DIP 10 = ON</p> <p><i>To turn on the outputs:</i></p> <table border="1"> <thead> <tr> <th>LIVELLO</th> <th>COLORI</th> <th></th> <th>BIANCO</th> <th></th> </tr> </thead> <tbody> <tr> <td>100%</td> <td>ON</td> <td>ON</td> <td>ON</td> <td>ON</td> </tr> <tr> <td>0%</td> <td>OFF</td> <td>OFF</td> <td>OFF</td> <td>OFF</td> </tr> </tbody> </table> <p><i>To set the strobo frequency:</i></p> <table border="1"> <thead> <tr> <th>fps</th> <th>DIP 5</th> <th>DIP 6</th> <th>DIP 7</th> </tr> </thead> <tbody> <tr> <td>10</td> <td>ON</td> <td>ON</td> <td>ON</td> </tr> <tr> <td>8</td> <td>OFF</td> <td>ON</td> <td>ON</td> </tr> <tr> <td>6</td> <td>ON</td> <td>OFF</td> <td>ON</td> </tr> <tr> <td>5</td> <td>OFF</td> <td>OFF</td> <td>ON</td> </tr> <tr> <td>4</td> <td>ON</td> <td>ON</td> <td>OFF</td> </tr> <tr> <td>3</td> <td>OFF</td> <td>ON</td> <td>OFF</td> </tr> <tr> <td>2</td> <td>ON</td> <td>OFF</td> <td>OFF</td> </tr> <tr> <td>1</td> <td>OFF</td> <td>OFF</td> <td>OFF</td> </tr> </tbody> </table>	LIVELLO	COLORI		BIANCO		100%	ON	ON	ON	ON	0%	OFF	OFF	OFF	OFF	fps	DIP 5	DIP 6	DIP 7	10	ON	ON	ON	8	OFF	ON	ON	6	ON	OFF	ON	5	OFF	OFF	ON	4	ON	ON	OFF	3	OFF	ON	OFF	2	ON	OFF	OFF	1	OFF	OFF	OFF															
LIVELLO	COLORI		BIANCO																																																																	
100%	ON	ON	ON	ON																																																																
0%	OFF	OFF	OFF	OFF																																																																
fps	DIP 5	DIP 6	DIP 7																																																																	
10	ON	ON	ON																																																																	
8	OFF	ON	ON																																																																	
6	ON	OFF	ON																																																																	
5	OFF	OFF	ON																																																																	
4	ON	ON	OFF																																																																	
3	OFF	ON	OFF																																																																	
2	ON	OFF	OFF																																																																	
1	OFF	OFF	OFF																																																																	

Led dimmer DMX

Bus DMX+RDM setup

Leds are managed by a DMX controller.



Use	3-Pin XLR Pin #	DMX512 Function
Common Reference 1	D	ata Link Common
Primary Data Link	2	Data 1-
	3	Data 1+
Secondary Data Link (Optional – see clause 4.8)	4	Data 2-
	5	Data 2+

Features

Bus DMX512 (NCS+SIP+RDM)

DMX protocol references standards

ANSI E1.11 E	ntertainment Technology – USITT DMX512-A Asynchronous Serial Digital Data Transmission Standard for Controlling Lighting Equipment and Accessories
ANSI E1.20 E	ntertainment Technology-RDM-Remote Device Management over USITT DMX512 Networks

Technical specification

Standard DMX512/RDM

Configuration

Addressing

By selectors	✓
From RDM	✓

Function D	IP-SWITCH																					
DMX512 Addressing managed by RDM		Addressing managed by RDM. All DIPS are OFF. <table border="1"> <thead> <tr> <th>DIP 1</th><th>DIP 2</th><th>DIP 3</th><th>DIP 4</th><th>DIP 5</th><th>DIP 6</th><th>DIP 7</th><th>DIP 8</th><th>DIP 9</th><th>DIP 10</th></tr> </thead> <tbody> <tr> <td>OFF</td><td>OFF</td><td>OFF</td><td>OFF</td><td>OFF</td><td>OFF</td><td>OFF</td><td>OFF</td><td>OFF</td><td>OFF</td></tr> </tbody> </table>	DIP 1	DIP 2	DIP 3	DIP 4	DIP 5	DIP 6	DIP 7	DIP 8	DIP 9	DIP 10	OFF	OFF	OFF	OFF	OFF	OFF	OFF	OFF	OFF	OFF
DIP 1	DIP 2	DIP 3	DIP 4	DIP 5	DIP 6	DIP 7	DIP 8	DIP 9	DIP 10													
OFF	OFF	OFF	OFF	OFF	OFF	OFF	OFF	OFF	OFF													
DMX512 Manual Addressing [1..511]		Manual Addressing DIP 10 = OFF DMX address from 0 to 511 = $(1 * dip1 + 2 * dip2 + 4 * dip3 + \dots + 256 * dip9)$ See the following table to set the address. In the table: - value 1 corresponds dip ON - value 0 corresponds dip OFF																				

Led dimmer DMX

CH	Set dip-switch 123456789	CH	Set dip-switch 123456789	CH	Set dip-switch 123456789	CH	Set dip-switch 123456789	CH	Set dip-switch 123456789
RDM	000000000	46	011101000	92	001110100	138	010100010	184	000111010
1	100000000	47	111101000	93	101110100	139	110100010	185	100111010
2	010000000	48	000011000	94	011110100	140	001100010	186	010111010
3	110000000	49	100011000	95	111110100	141	101100010	187	110111010
4	001000000	50	010011000	96	000001100	142	011100010	188	001111010
5	101000000	51	110011000	97	100001100	143	111100010	189	101111010
6	011000000	52	001011000	98	010001100	144	000010010	190	011111010
7	111000000	53	101011000	99	110001100	145	100010010	191	111111010
8	000100000	54	011011000	100	001001100	146	010010010	192	000000110
9	100100000	55	111011000	101	101001100	147	110010010	193	100000110
10	010100000	56	000111000	102	011001100	148	001010010	194	010000110
11	110100000	57	100111000	103	111001100	149	101010010	195	110000110
12	001100000	58	010111000	104	000101100	150	011010010	196	001000110
13	101100000	59	110111000	105	100101100	151	111010010	197	101000110
14	011100000	60	001111000	106	010101100	152	000110010	198	011000110
15	111100000	61	101111000	107	110101100	153	100110010	199	111000110
16	000010000	62	011111000	108	001101100	154	010110010	200	000100110
17	100010000	63	111111000	109	101101100	155	110110010	201	100100110
18	010010000	64	000000100	110	011101100	156	001110010	202	010100110
19	110010000	65	100000100	111	111101100	157	101110010	203	110100110
20	001010000	66	010000100	112	000011100	158	011110010	204	001100110
21	101010000	67	110000100	113	100011100	159	111110010	205	101100110
22	011010000	68	001000100	114	010011100	160	000001010	206	011100110
23	111010000	69	101000100	115	110011100	161	100001010	207	111100110
24	000110000	70	011000100	116	001011100	162	010001010	208	000010110
25	100110000	71	111000100	117	101011100	163	110001010	209	100010110
26	010110000	72	000100100	118	011011100	164	001001010	210	010010110
27	110110000	73	100100100	119	111011100	165	101001010	211	110010110
28	001110000	74	010100100	120	000111100	166	011001010	212	001010110
29	101110000	75	110100100	121	100111100	167	111001010	213	101010110
30	011110000	76	001100100	122	010111100	168	000101010	214	011010110
31	111110000	77	101100100	123	110111100	169	100101010	215	111010110
32	000001000	78	011100100	124	001111100	170	010101010	216	000110110
33	100001000	79	111100100	125	101111100	171	110101010	217	100110110
34	010001000	80	000010100	126	011111100	172	001101010	218	010110110
35	110001000	81	100010100	127	111111100	173	101101010	219	110110110
36	001001000	82	010010100	128	000000010	174	011101010	220	001110110
37	101001000	83	110010100	129	100000010	175	111101010	221	101110110
38	011001000	84	001010100	130	010000010	176	00001010	222	011110110
39	111001000	85	101010100	131	110000010	177	100011010	223	111110110
40	000101000	86	011010100	132	001000010	178	010011010	224	00000110
41	100101000	87	111010100	133	101000010	179	110011010	225	100001110
42	010101000	88	000110100	134	011000010	180	001011010	226	010001110
43	110101000	89	100110100	135	111000010	181	101011010	227	110001110
44	001101000	90	010110100	136	000100010	182	011011010	228	001001110
45	101101000	91	110110100	137	100100010	183	111011010	229	101001110

Led dimmer DMX

CH	Set dip-switch 123456789	CH	Set dip-switch 123456789	CH	Set dip-switch 123456789	CH	Set dip-switch 123456789	CH	Set dip-switch 123456789
230	011001110	276	001010001	322	010000101	368	000011101	414	011110011
231	111001110	277	101010001	323	110000101	369	100011101	415	111110011
232	000101110	278	011010001	324	001000101	370	010011101	416	000001011
233	100101110	279	111010001	325	101000101	371	110011101	417	100001011
234	010101110	280	000110001	326	011000101	372	001011101	418	010001011
235	110101110	281	100110001	327	111000101	373	101011101	419	110001011
236	001101110	282	010110001	328	000100101	374	011011101	420	001001011
237	101101110	283	110110001	329	100100101	375	111011101	421	101001011
238	011101110	284	001110001	330	010100101	376	000111101	422	011001011
239	111101110	285	101110001	331	110100101	377	100111101	423	111001011
240	000011110	286	011110001	332	001100101	378	010111101	424	000101011
241	100011110	287	111110001	333	101100101	379	110111101	425	100101011
242	010011110	288	000001001	334	011100101	380	001111101	426	010101011
243	110011110	289	100001001	335	111100101	381	101111101	427	110101011
244	001011110	290	010001001	336	000010101	382	011111101	428	001101011
245	101011110	291	110001001	337	100010101	383	111111101	429	101101011
246	011011110	292	001001001	338	010010101	384	000000011	430	011101011
247	111011110	293	101001001	339	110010101	385	100000011	431	111101011
248	000111110	294	011001001	340	001010101	386	010000011	432	000011011
249	100111110	295	111001001	341	101010101	387	110000011	433	100011011
250	010111110	296	000101001	342	011010101	388	001000011	434	010011011
251	110111110	297	100101001	343	111010101	389	101000011	435	110011011
252	001111110	298	010101001	344	000110101	390	011000011	436	001101011
253	101111110	299	110101001	345	100110101	391	111000011	437	101101011
254	011111110	300	001101001	346	010110101	392	000100011	438	011101011
255	111111110	301	101101001	347	110110101	393	100100011	439	111101011
256	000000001	302	011101001	348	001110101	394	010100011	440	000111011
257	100000001	303	111101001	349	101110101	395	110100011	441	100111011
258	010000001	304	000011001	350	011110101	396	001100011	442	010111011
259	110000001	305	100011001	351	111110101	397	101100011	443	110111011
260	001000001	306	010011001	352	000011011	398	011100011	444	001111011
261	101000001	307	110011001	353	100011011	399	111100011	445	101111011
262	011000001	308	001011001	354	010001101	400	000010011	446	011111011
263	111000001	309	101011001	355	110001101	401	100010011	447	111111011
264	000100001	310	011011001	356	001001101	402	010010011	448	000000111
265	100100001	311	111011001	357	101001101	403	110010011	449	100000111
266	010100001	312	000111001	358	011001101	404	001010011	450	010000111
267	110100001	313	100111001	359	111001101	405	101010011	451	110000111
268	001100001	314	010111001	360	000101101	406	011010011	452	001000111
269	101100001	315	110111001	361	100101101	407	111010011	453	101000111
270	011100001	316	001111001	362	010101101	408	000110011	454	011000111
271	111100001	317	101111001	363	110101101	409	100110011	455	111000111
272	000010001	318	011111001	364	001101101	410	010110011	456	000100111
273	100010001	319	111111001	365	101101101	411	110110011	457	100100111
274	010010001	320	000000101	366	011101101	412	001110011	458	010100111
275	110010001	321	100000101	367	111101101	413	101110011	459	110100111

Led dimmer DMX

CH	Set dip-switch 123456789	CH	Set dip-switch 123456789	CH	Set dip-switch 123456789	CH	Set dip-switch 123456789	CH	Set dip-switch 123456789
460	001100111	471	111010111	482	010001111	493	101101111	504	000111111
461	101100111	472	000110111	483	110001111	494	011101111	505	100111111
462	011100111	473	100110111	484	001001111	495	111101111	506	010111111
463	111100111	474	010110111	485	101001111	496	000011111	507	110111111
464	000010111	475	110110111	486	011001111	497	100011111	508	001111111
465	100010111	476	001110111	487	111001111	498	010011111	509	101111111
466	010010111	477	101110111	488	000101111	499	110011111	510	011111111
467	110010111	478	011110111	489	100101111	500	001011111	511	111111111
468	001010111	479	111110111	490	010101111	501	101011111		
469	101010111	480	000001111	491	110101111	502	011011111		
470	011010111	481	100001111	492	001101111	503	111011111		

APPLICATION EXAMPLE: suppose you want to set the address 310 in the device. The following values need to be set on the switches:
 DIP 1 = OFF, DIP 2 = ON, DIP 3 = ON, DIP 4 = OFF, DIP 5 = ON, DIP 6 = ON, DIP 7 = OFF, DIP 8 = OFF, DIP 9 = ON, DIP 10 = OFF

Functions

Considering the colours configuration depicted in paragraph Installation at page 3, the 4 intensities can be controlled by the following slots:

Slot	Function V	alue
1	R	R 0 .. 255
2	G	G 0 .. 255
3	B	B 0 .. 255
4	W	W 0 .. 255

Application example:

Considering the colours configuration depicted in paragraph Installation at page 3, the 4 intensities can be controlled by the following slots:

Suppose you have manually set the address 310 on the device by selectors. Then, operating on DMX address:

- 310 (1st slot) first output intensity can be managed (red colour);
- 311 (2nd slot) second output intensity can be managed (green colour);
- 312 (3rd slot) third output intensity can be managed (blue colour);
- 313 (4th slot) fourth output intensity can be managed (white colour).

RDM commands

REQUESTED PARAMETERS	
DISC_UNIQUE_BRANCH	✓
DISC_UN_MUTE	✓
SUPPORTED_PARAMETERS	✓
PARAMETERS_DESCRIPTION	✓
DEVICE_INFO	✓
SOFTWARE_VERSION_LABEL	✓
DMX_START_ADDRESS	✓
IDENTIFY_DEVICE	✓

SUPPORTED PARAMETERS	
PRODUCT_DETAIL_ID_LIST	✓
DEVICE_MODEL_DESCRIPTION	✓
MANUFACTURER_LABEL	✓
DEVIDE_LABEL	✓
BOOT_SOFTWARE_VERSION_ID	✓
BOOT_SOFTWARE_VERSION_LABEL	✓
DMX_PERSONALITY	✓
DMX_PERSONALITY_DESCRIPTION	✓
SLOT_INFO	✓
SLOT_DESCRIPTION	✓
DEFAULT_SLOT_VALUE	✓