

## MUNICH COMFORT

Our PROFESSIONAL led profile series for hanging applications is manufactured in high purity aluminum, lacquered and textured in white or black. The power supply can be housed inside. This profile uses 14 module reflectors and 2 different types of optics of 30° or 65°, improving visual comfort and guaranteeing a low UGR. It is suitable for rigid strips with a maximum width of 20mm, designed for the 14 module optical system.

In addition, it has blind covers in white or black aluminum which can be placed in the final sections of the luminaire and in the middle sections where lighting is not required.

The profile is available in lengths of 3.6 metres.

**We offer a 5 year warranty on profiles.**



### Aluminium profile

16.045	lacquered white	3.6m
16.046	lacquered black	3.6m



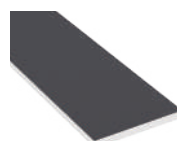
### Metal endcap

19.473	lacquered white
19.474	lacquered black



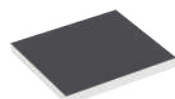
### Reflector with 14 modules

46.072	white	28cm
46.073	black	28cm



### Blind section

19.496	lacquered white	1m
19.497	lacquered black	1m



### Blind section

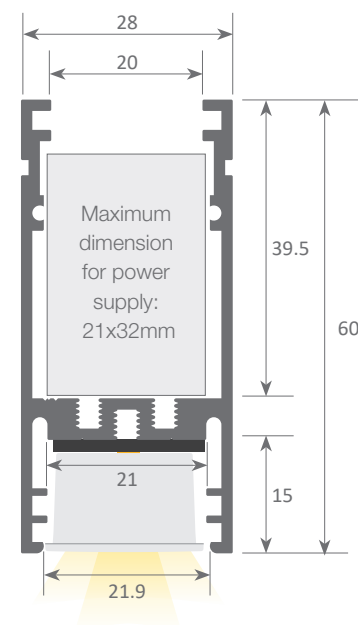
19.475	lacquered white
19.476	lacquered black



### Optics with 14 modules

46.074	30°	280mm
46.075	65°	280mm

Scale 1:1  
(Dimensions in mm)



### Hanging KIT

21.001	chrome	set of 2 units
21.002	white	set of 2 units
21.003	black	set of 2 units (clip not included)



### Rigid strip

36.068	3000K	280mm
36.069	4000K	280mm



Aluminium alloy extrusion process in accordance with: ISO 9001:2008 - ISO 14001 / Tolerances defined by: UNE-EN 755-9 / UNE-EN 12020-2  
Theoretical weight: 0.860kg / Alloy: 6063 / Perimeter: 388mm / Anodising minimum: 15 microns / Aluminium purity: 95-98% / Material treatment: T-5