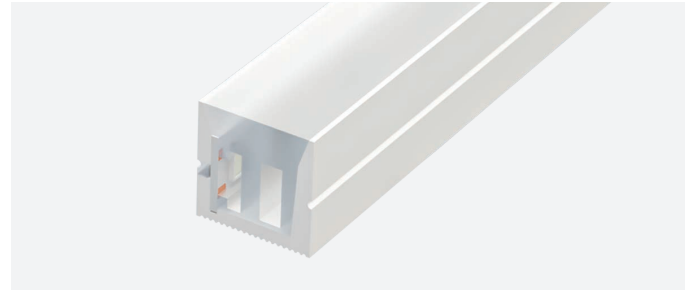


Neon Kenya RGB

Features:

- Silky, soft-touch silicone neon, with opaline front and integrated light source.
- Great for lighting up cornices and for creating decorative perimeter lighting, large letters and advertising texts, etc...
- Degree of protection: IP67
- Uses high quality silica gel and is resistant to yellowing, UV rays, saltpeper, high temperatures and is also flame retardant.
- Neon with side light emission.



Reference	Colour temp.	Lumens/m	Lumens/W
10.277	RGB	283	24

Technical characteristics

Technical data

Power (per metre)	12W/m
Power (full 5m roll)	360W
Voltage	24V
Degree of protection	IP67

Led information

Number of leds per metre	120
--------------------------	-----

Temperatures and operating conditions

Working tempetarure	-40°C / +55°C
Storage temperature	-40°C / +60°C

Photometric data

Opening angle	110°
---------------	------

Aspects

Dimmable	Yes *1
Installation	Surface / Recessed
Apt for	Indoor / Outdoor

*1 Adjustable with appropriate controllers.

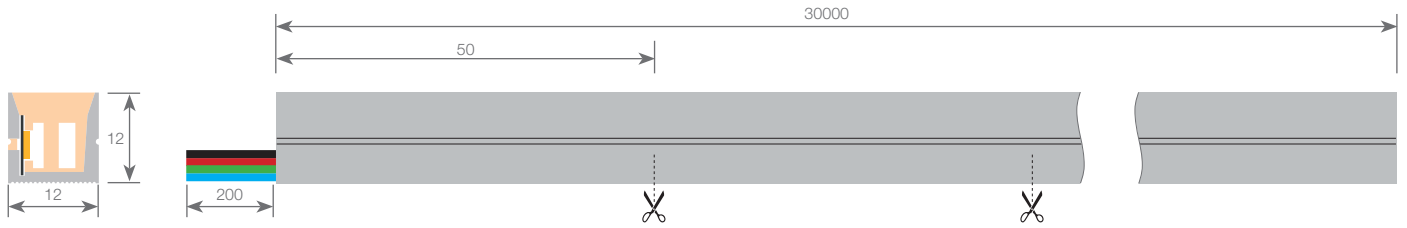
Useful lifespan

Estimated lifespan	30.000h *2
Daily recommended use	18h

*2 Depending on the dissipation of the profile, the daily working hours and the external environmental working temperature.



Neon Kenya RGB



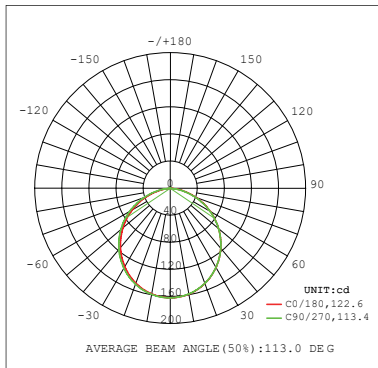
Dimensions and weight

Length	30000mm	Cutting section length	50mm
Width	12mm	Cable length	200mm
Height	12mm	Cable section	4x0.5mm ²

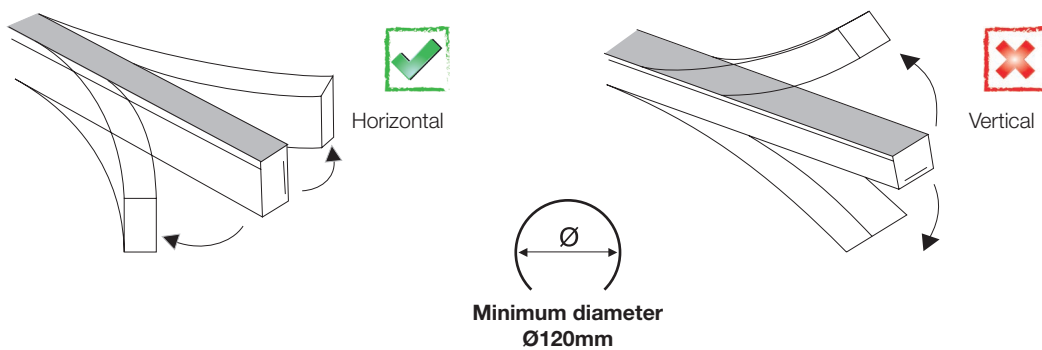
Connection

Maximum connection in open circuit	10m	Maximum connection in closed circuit	20m
------------------------------------	-----	--------------------------------------	-----

Photometric curves



Curve diameter



Neon Kenya RGB

Fixing



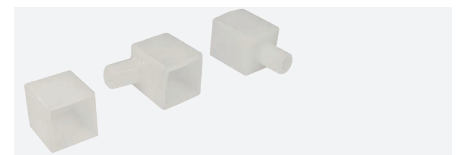
Compatible accessories



Aluminium clip profile
 10.254 1m white



Die-cut profile
 10.253 1m steel



Silicone endcaps
 19.491 frosted
 19.490 frosted with side cable hole
 19.489 frosted with front cable hole



Aluminium clip
 20.083 white



Silicone for waterproofing
 22.138 45ml opal
 22.140 45ml transparent

Neon Kenya RGB

Assembly instructions with clip profile or clip

001.

002.

003.

004.

005.

006.

007.

008.

50mm

Make sure the angle between the neon and the profile is not more than 15°, otherwise the led strip may be damaged

15°

Do not bend

Do not stretch

Do not step on