

Ref: 38.051

Features:

- Protection class B
- Semi-glue filling design
- Natural cooling
- Overload protection
- Input under voltage protection
- Output short circuit protection
- Output over current protection
- Output over voltage protection



Input characteristics	AC input voltage range min. / typical / max.	90V / 230V / 264V
	AC input voltage frequency min. / typical / max.	47Hz / 50Hz / 63Hz
	Input current	3A
	Power factor	0.95 (220V full load)
	Inrush current	90us / 780us A (230 full load, cold state)
Output characteristics	Output voltage range min. / typical / max.	21.6V / 24V / 26.4V (adjustable between 21.6V and 26.4V)
	Output current range min. / max.	0A / 16.7A (At 90-170V, 50% derating, maximum output current of 8.3A)
	Constant voltage tolerance	±2%
	Noise & ripple (peak to peak value)	300mV (test under the conditions of full load output and rated 230Vac input. Before the test, connect a 0.1uF metalized-film capacitor and a 10uF electrolytic capacitor in parallel at the output. The bandwidth of the oscilloscope is 20MHz.)
	Output power	400W
	Output efficiency min. / typical	93% / 94% (230Vac input, 100% load output)
	Start-up output delay	<1500ms (230Vac, full load)
	Rise time of output voltage	<100ms (Rated input, rated output)
Environment	Degree of protection	IP42
	Working temperature min. / max.	-30°C / +70°C (for working over 45°C, please refer to the load derating curve in the latter part of this data sheet)
	Ambient temperature for storage min. / max.	-40°C / +90°C
	Relative working humidity min. / max.	0 / 95% (no condensation)
	Altitude max.	5000m
Protections	Atmospheric pressure min. / max.	70kPa / 106kPa
	Output current limit protection min. / max.	18A / 25A
	Output over voltage protection min. / max.	27.6V / 33V (test under the conditions of normal temperature and full load. The protection mode is hiccuping.)
Safety standards & insulation parameters	Over temperature protection min. / max.	80°C / 100°C (auto-recovery. The referred temperature is the temperature of the upper casing.)
	Input - output	3000Vac / 5mA / 1min (no arc striking, no breakdown)
	Input - ground	1500Vac / 5mA / 1min (no arc striking, no breakdown)
	Output - ground	500Vdc / 5mA / 1min (no arc striking, no breakdown)
	Insulation resistance	≥100MΩ (It's the insulation resistance of input-output, input-ground and output-ground under conditions of normal atmosphere, relative humidity less than 90% and test voltage of 500Vdc.)
Other	Touch current	<0.7mA (220Vac input, L - GND & N - GND)
	Dimensions	219.5x124.8x54mm
	Casing shape	aluminum rain-proof casing
	Weight	0.9 kg
	Guarantee	3 years



Measurements:

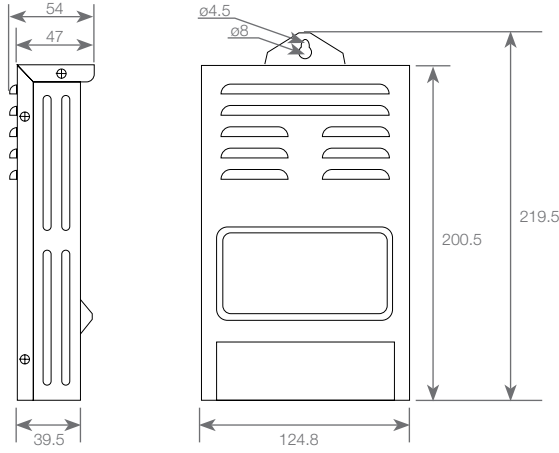
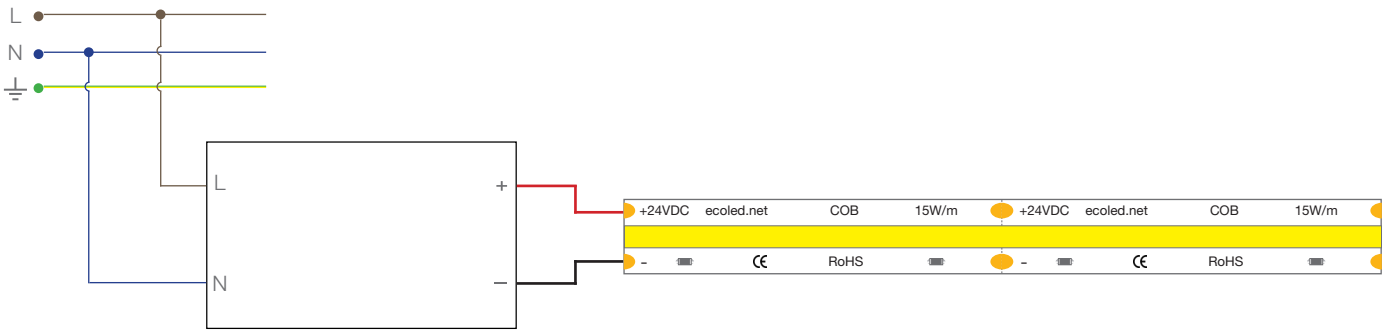
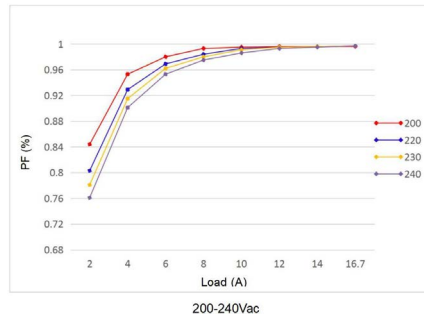
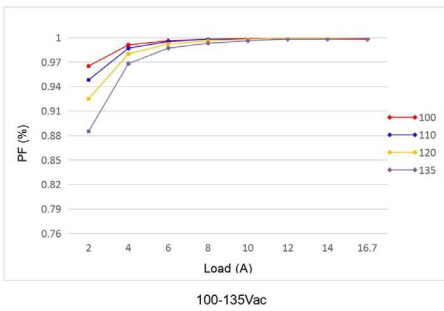


Diagram:

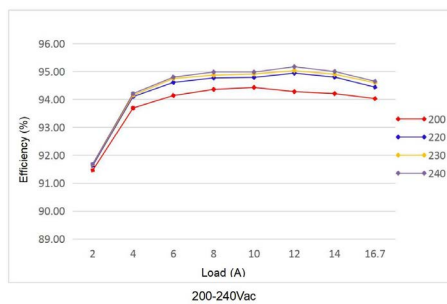
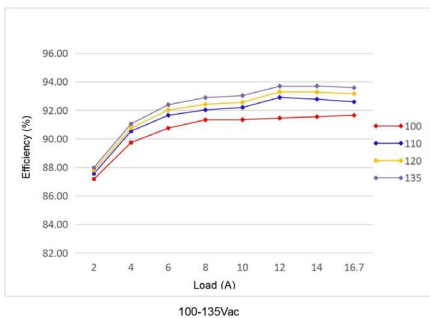


Product characteristic curves

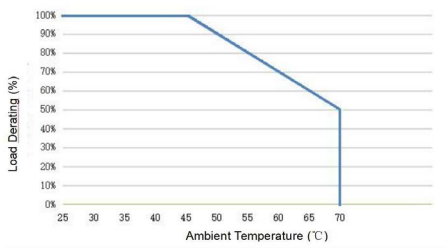
PF Curves



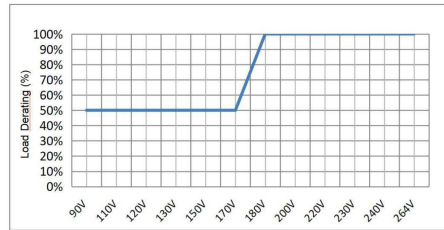
Efficiency Curves



Load Derating Curve



Voltage Derating Curve



Assembly and Safety Information

Applied standards (ESD):

- EN 55024
- IEC 61000-4-2

Applied standards (CS):

- IEC 61000-4-6

Applied standards (SURGE):

- EN 55024
- IEC 61000-4-5

Safety standards:

- IEC 62368
- UL/CUL62368
- EN 62368-1:2014/A11:2017
- GB17625.1-2012
- GB4943.1-2011

Applied standards (RS):

- EN 55024
- IEC 61000-4-3

Applied standards (EFT/B):

- EN 55024
- IEC 61000-4-4

Applied standards (CE / RE):

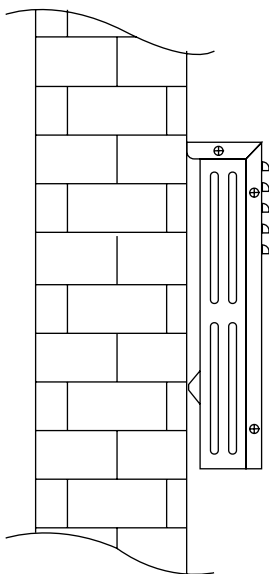
- EN 55032
- GB9254

Attention:

- Please use this product according to its specifications otherwise there may be malfunction.
- Use uncertified wires or connectors may cause fire or other hazards.
- It is suggested that user use a slotted screwdriver or a Philips to adjust the output current of led driver, otherwise the potentiometer may be damaged. (please use the screwdriver with an insulated handle, and the screwdriver with a 2mm head is recommended as well. Meanwhile, please pay attention that the intensity of torque not exceed 0.5KNm).
- Man-made damage is not covered by guarantee.

Installation Method:

1. Please use vertical wall mounted installation, no forward, backward or horizontal, shown as the following picture:



2. For ensuring good heat dissipation, anything should be kept 10cm from four sides (up, down, left and right) of the led driver and 5cm from the vent on the front side, shown as the following picture:

