

COB CCT flexible led strips

Features:

- COB design.
- They allow linear illumination without the led spots being visible.
- Provides a continuous and uniform light effect.
- Wide beam angle, softer light.
- Degree of protection: IP20.
- Easy assembly thanks to self-adhesive tape.



Reference	Colour temp.	Lumens/m	Lumens/W	Energy efficiency
31.136	2700K / 6000K	2090	104.18	F

Technical characteristics

Technical data

Power (x metre)	20W/m
Power of the roll (5m)	100W
Voltage	24V
Degree of protection	IP20

Led information

Type of led	COB
Number of leds per metre	640
Number of leds per section	32

Temperatures and operating conditions

Working temperature *1	-20°C / +45°C
Storage temperature	0°C / +60°C

Photometric data

CRI	>90
R9	74
Colour consistency	≤3 sdcm
Opening angle	180°

Services

Dimmable	Yes *2
Self-adhesive	3M tape
Apt for	Indoor

*2 Adjustable with appropriate controllers.

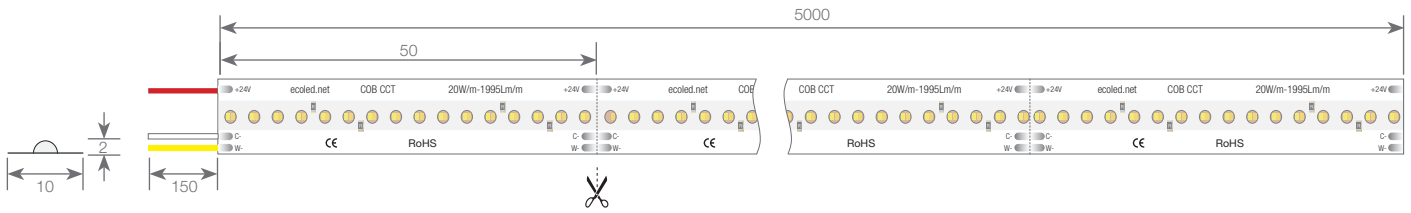
Useful lifespan

Estimated lifespan	50.000h *3
Daily recommended use	12h

*3 Depending on the dissipation of the profile, the daily working hours and the external environmental working temperature.



“Free cut fluo” flexible led strips



Dimensions and weight

Length	5000mm	Cutting section length	50mm
Height	10mm	Cable length	150mm
Width	2mm	Cable section	2x0,5mm ²

Connection

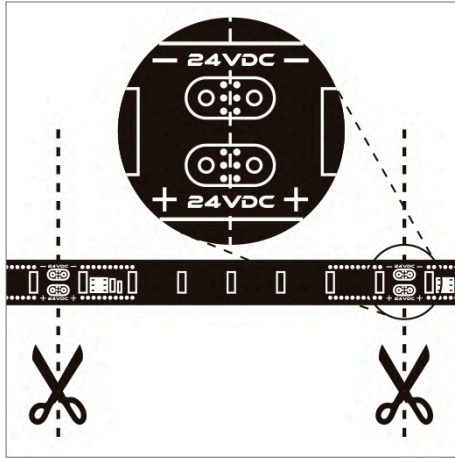
Maximum connection in open circuit	5m	Maximum connection in closed circuit	10m
------------------------------------	----	--------------------------------------	-----

“Free cut fluo” flexible led strips

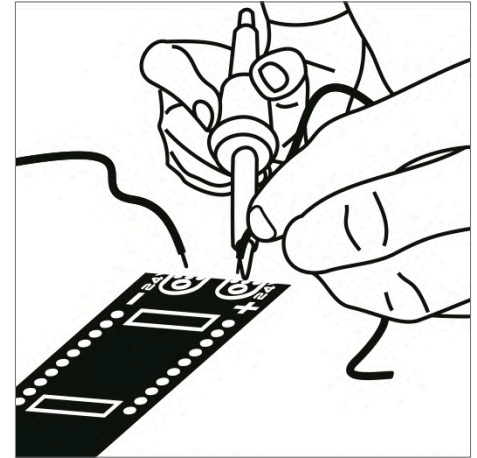
Assembly instructions



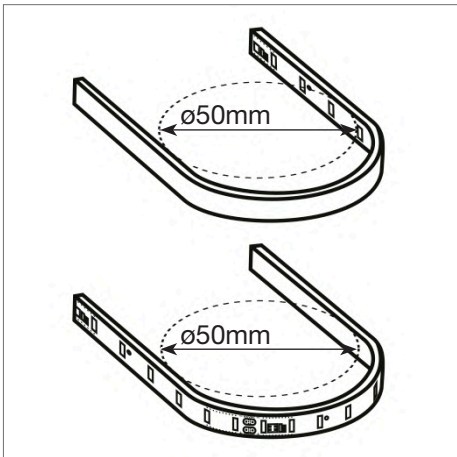
1. Clean the installation surface from dirt and grease.



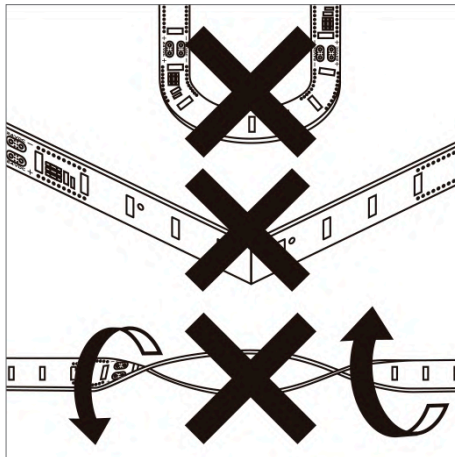
2. Cut only along the lines indicated on the PCB.



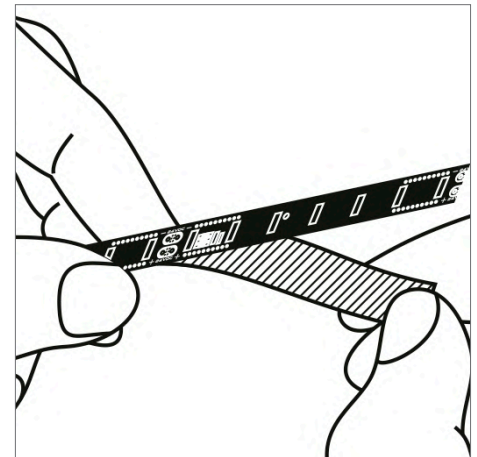
3. Polarity (+/-) must be respected. The soldering temperature must not exceed 360°.



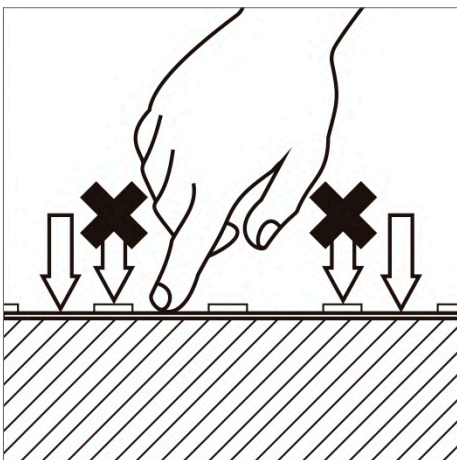
4. The bending diameter of the flexible strips must not be more than ø50mm.



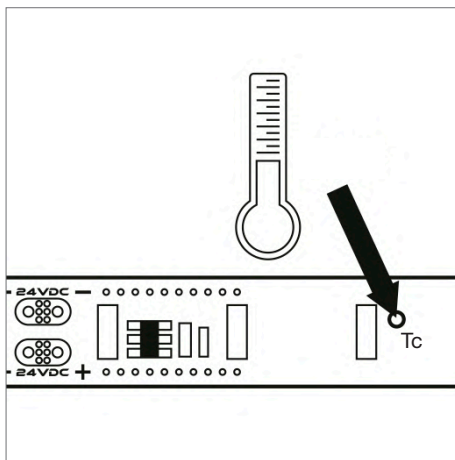
5. Flexible strips must not be twisted or bent at sharp angles.



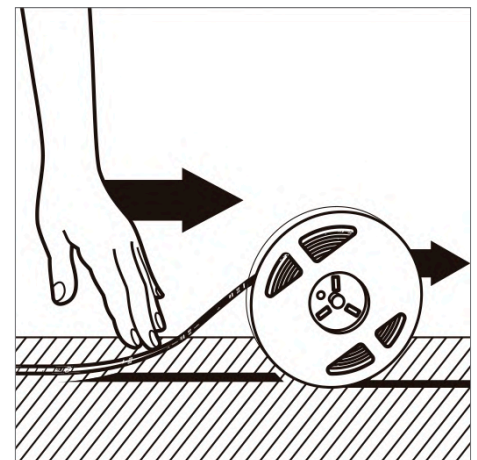
6. Fix by removing the back tape protector.



7. When applying the strip, press between the leds and not on the surface of the led.



8. The use of an aluminium profile is recommended for heat dissipation. The temperature should not exceed the recommended values in the data sheet*1.



9. Only handle the flexible strip when off unwind and place gradually.